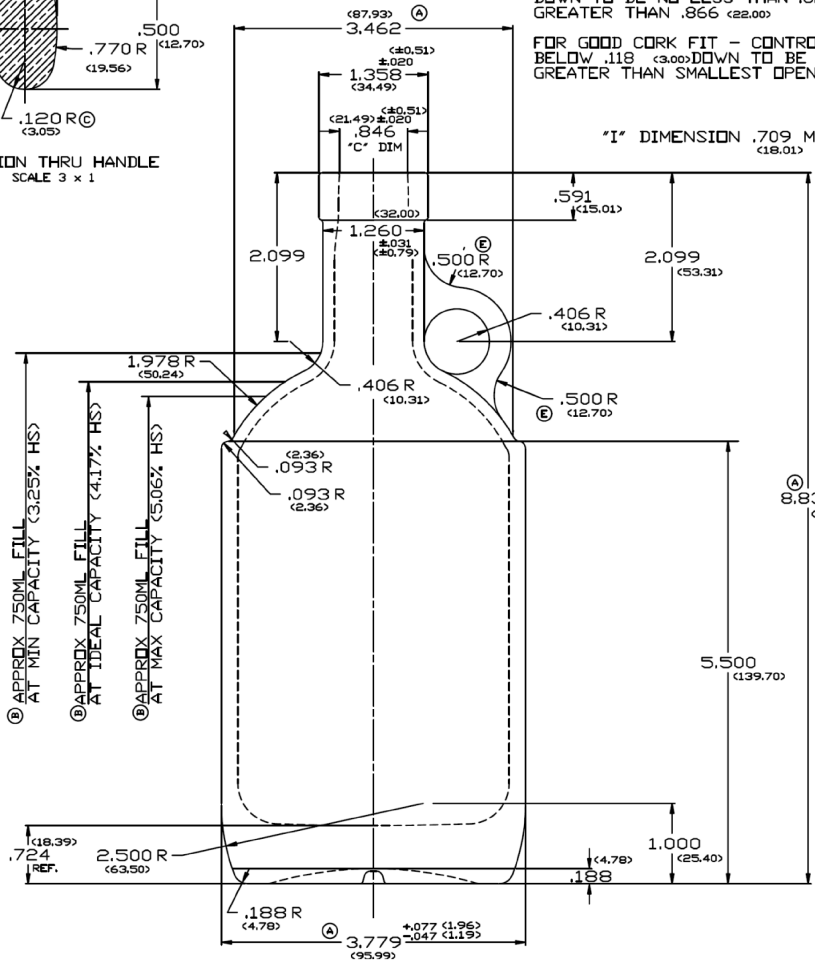
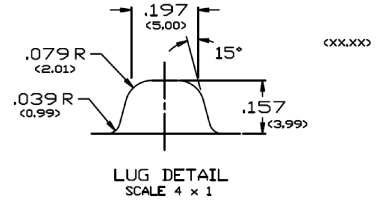
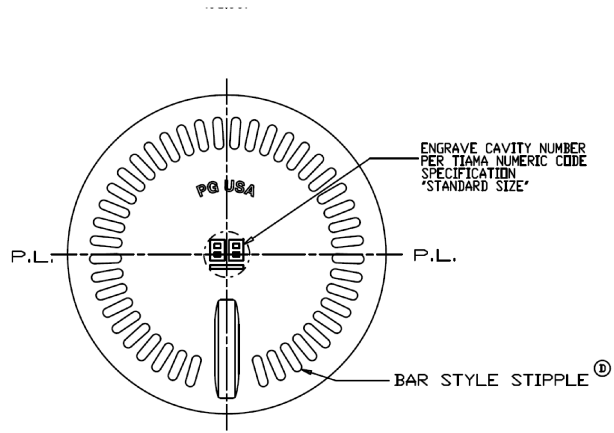


C' DIMENSION CONTROLS OPENING TO .630 \pm 0.00 DOWN FROM BOTTLE ENTRY
 OPENING FROM .118 \pm 0.00 DOWN TO .630 \pm 0.00 DOWN TO BE NO LESS THAN .826 \pm 0.00 AND NO GREATER THAN .866 \pm 0.00
 FOR GOOD CORK FIT - CONTROL OPENING BELOW .118 \pm 0.00 DOWN TO BE SLIGHTLY GREATER THAN SMALLEST OPENING ABOVE



HEADSPACE		
		UNDER CORK
MIN. CAP.	3.25%	2.33%
IDEAL CAP.	4.17%	3.26%
MAX. CAP.	5.06%	4.18%



		30310 Emerald Valley Pkwy Glenwillow, OH 44139	
		PPC ITEM NUMBER: 60206	SKU: 04-04-040-00102
DRAWN BY:	CHECKED BY:	DATE: 9/17/2019	
DESCRIPTION: 750ml Flint Glass Moonshine Bottle		COLOR: Flint	
PART MATERIAL: Glass	VOLUME: 782.6±7.4 cc	WEIGHT: 30.848 oz	
DWG NO.:	DWG SIZE: A	SHEET NO: 1 of 1	REV: -

PROPRIETARY AND CONFIDENTIAL

THE INFORMATION CONTAINED IN THIS DRAWING IS THE SOLE PROPERTY OF PIPELINE PACKAGING. ANY REPRODUCTION IN PART OR AS A WHOLE WITHOUT THE WRITTEN PERMISSION OF PIPELINE PACKAGING IS PROHIBITED.

UNLESS OTHERWISE SPECIFIED:

UNITS OF MEASURE: Inches

TOLERANCES: Specified in drawing