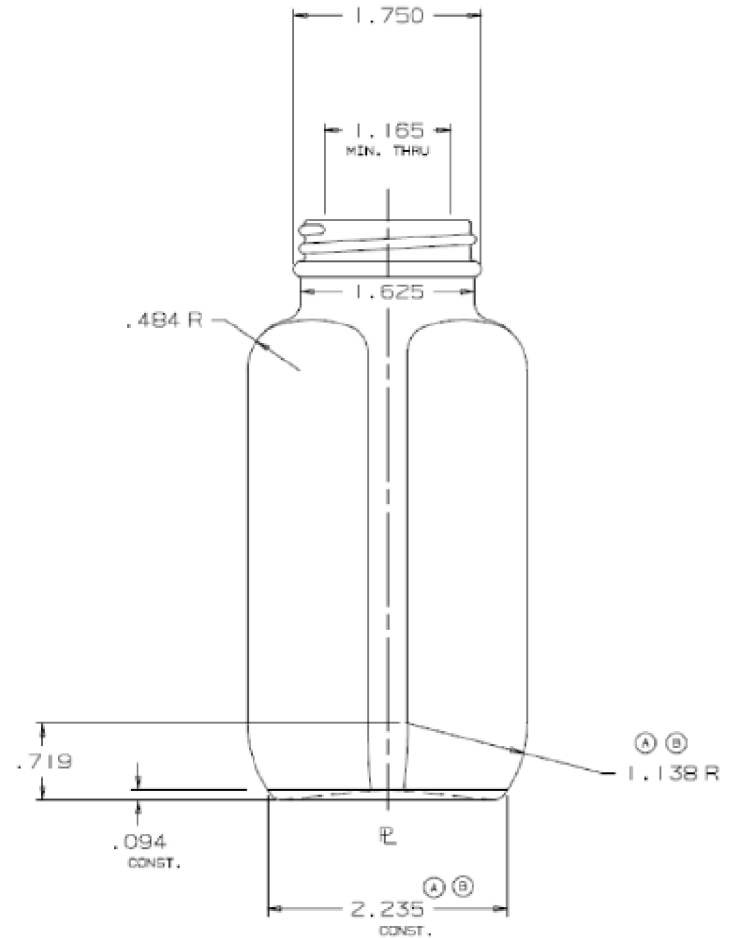
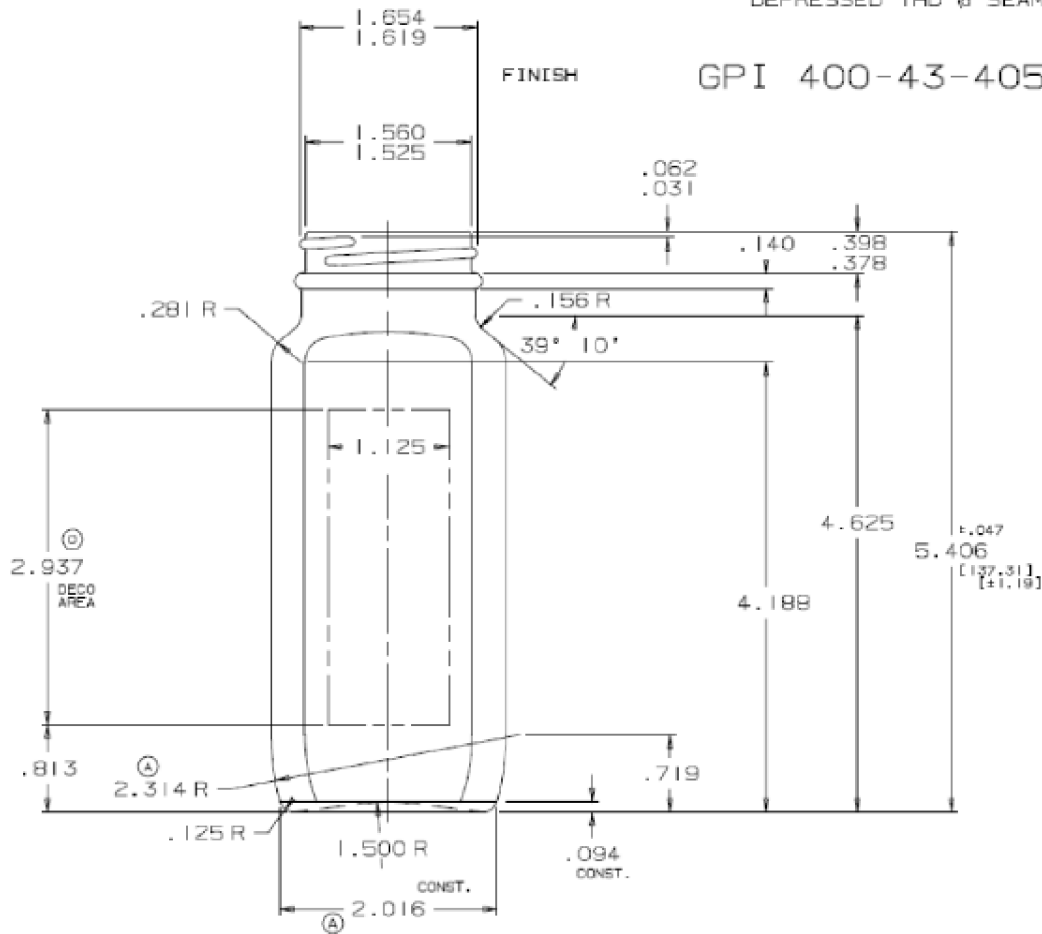
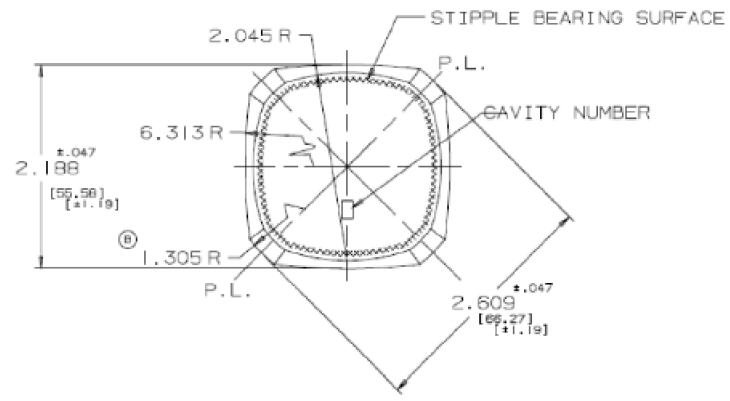



DEPRESSED THD @ SEAMS

GPI 400-43-405



VIEW ACROSS CORNERS



		30310 Emerald Valley Pkwy Glenwillow, OH 44139	
PPC ITEM NUMBER: 60035		SKU: 04-04-075-00004	
DRAWN BY: -	CHECKED BY: -	DATE: 11/30/2018	
DESCRIPTION: 8oz Square Glass Bottle		COLOR: -	
PART MATERIAL: -	VOLUME: -	WEIGHT: -	
DWG NO.: -	DWG SIZE: A	SHEET NO: 1 of 1	REV: -

PROPRIETARY AND CONFIDENTIAL

THE INFORMATION CONTAINED IN THIS DRAWING IS THE SOLE PROPERTY OF PIPELINE PACKAGING. ANY REPRODUCTION IN PART OR AS A WHOLE WITHOUT THE WRITTEN PERMISSION OF PIPELINE PACKAGING IS PROHIBITED.

UNLESS OTHERWISE SPECIFIED:

UNITS OF MEASURE: Inches

TOLERANCES: Specified in drawing