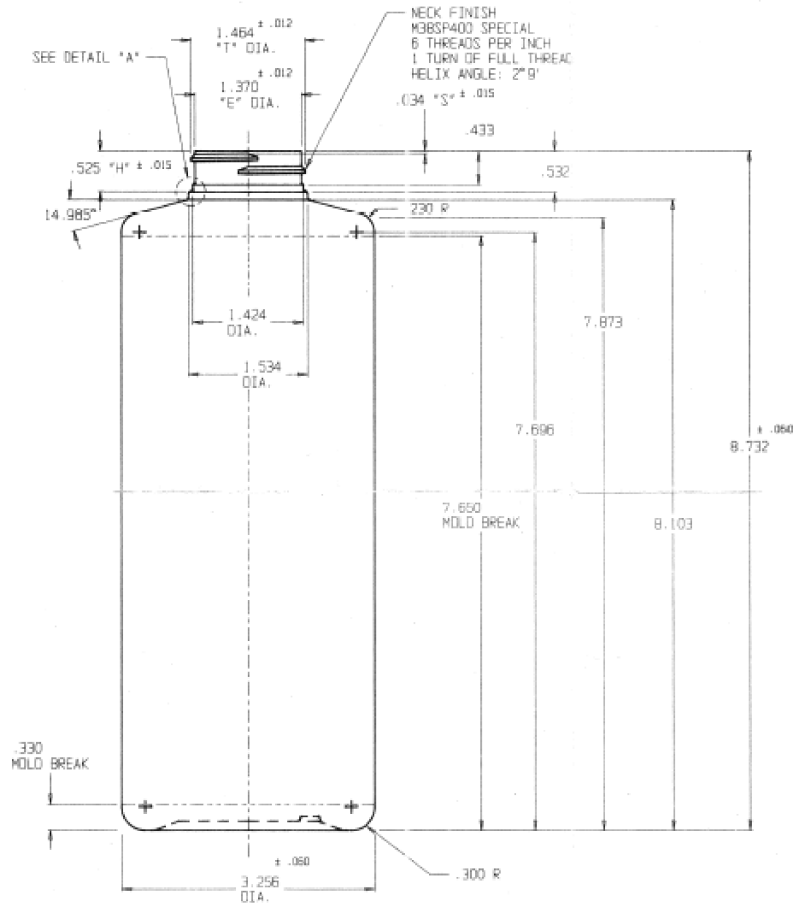
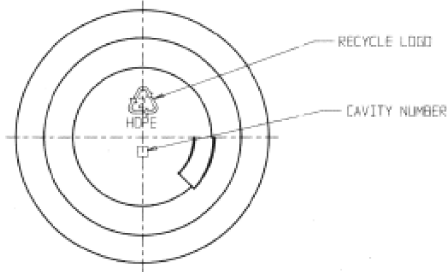


ALTERNATE FINISH

M2BSP410 SPECIAL
6 THREADS PER INCH
1-1/2 TURNS OF FULL THREAD
HELIX ANGLE: 2° 57'



- NOTES:
1. STANDARD SPI TOLERANCES APPLY.
 2. OVERFLOW CAPACITY = 1019 ± 15 CC
 3. MATERIAL: HDPE
 4. ESTIMATED BOTTLE WEIGHT: ~~58~~ GRAMS
52 "

Pipeline Packaging 30310 Emerald Valley Pkwy
Glenwillow, OH 44139

PPC ITEM NUMBER: 65248 SKU: 04-05-021-00105
DRAWN BY: - CHECKED BY: - DATE: 12/6/2018

DESCRIPTION: 32oz Cylinder HDPE Bottle COLOR: -
PART MATERIAL: - VOLUME: - WEIGHT: -
DWG NO.: - DWG SIZE: A SHEET NO: 1 of 1 REV: -

PROPRIETARY AND CONFIDENTIAL
THE INFORMATION CONTAINED IN THIS DRAWING IS THE SOLE PROPERTY OF PIPELINE PACKAGING. ANY REPRODUCTION IN PART OR AS A WHOLE WITHOUT THE WRITTEN PERMISSION OF PIPELINE PACKAGING IS PROHIBITED.

UNLESS OTHERWISE SPECIFIED:
UNITS OF MEASURE: Inches
TOLERANCES: Specified in drawing