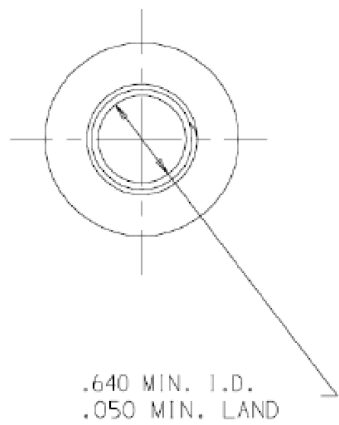



NOTES :

- 1) OVERFLOW CAPACITY : 4.34 ± .17 FL.OZ.  
( 128.3 ± 5.0 CC'S. )
- 2) WEIGHT : 11.0 ± 1.0 GRAMS
- 3) VERTICAL LABEL BREAK  
 SCREEN PROCESS : .500  
 PAPER LABEL : NONE



		30310 Emerald Valley Pkwy	
		Glenwillow, OH 44139	
PPC ITEM NUMBER: 65532		SKU: 04-05-022-00165	
DRAWN BY: -	CHECKED BY: -	DATE: 12/6/2018	
DESCRIPTION: 4oz Dairy & Milk HDPE Bottle		COLOR: -	
PART MATERIAL: -	VOLUME: -	WEIGHT: -	
DWG NO.: -	DWG SIZE: A	SHEET NO: 1 of 1	REV: -

**PROPRIETARY AND CONFIDENTIAL**

THE INFORMATION CONTAINED IN THIS DRAWING IS THE SOLE PROPERTY OF PIPELINE PACKAGING. ANY REPRODUCTION IN PART OR AS A WHOLE WITHOUT THE WRITTEN PERMISSION OF PIPELINE PACKAGING IS PROHIBITED.

**UNLESS OTHERWISE SPECIFIED:**

UNITS OF MEASURE: Inches

TOLERANCES: Specified in drawing