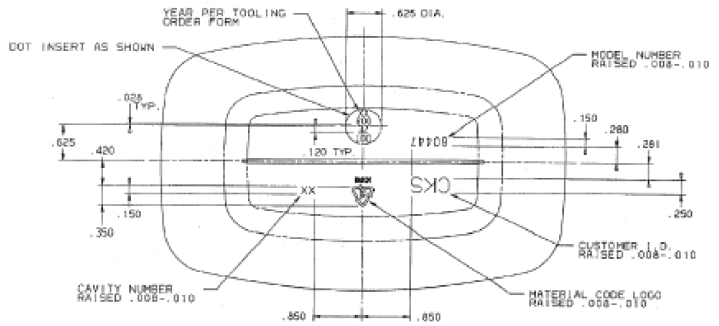


- NOTES:
1. CONTAINER WT. == 145-170 GRAMS
  2. MATERIAL -- HDPE
  3. OVERFLOW CAPACITY -- 146.0 FL. OZ.
  4. FILL CAPACITY -- 128 FL. OZ.
  5. TOLERANCE:
    - HORIZONTAL = .080
    - VERTICAL = .080
    - VOLUMETRIC = 1.50 FL. OZ.



**Pipeline Packaging** 30310 Emerald Valley Pkwy  
Glenwillow, OH 44139

PPC ITEM NUMBER: 65463 SKU: 04-05-032-00039

DRAWN BY: - CHECKED BY: - DATE: 12/6/2018

DESCRIPTION: 128oz F-Style HDPE Bottle COLOR: -

PART MATERIAL: - VOLUME: - WEIGHT: -

DWG NO.: - DWG SIZE: A SHEET NO: 1 of 1 REV: -

**PROPRIETARY AND CONFIDENTIAL**

THE INFORMATION CONTAINED IN THIS DRAWING IS THE SOLE PROPERTY OF PIPELINE PACKAGING. ANY REPRODUCTION IN PART OR AS A WHOLE WITHOUT THE WRITTEN PERMISSION OF PIPELINE PACKAGING IS PROHIBITED.

**UNLESS OTHERWISE SPECIFIED:**

UNITS OF MEASURE: Inches

TOLERANCES: Specified in drawing