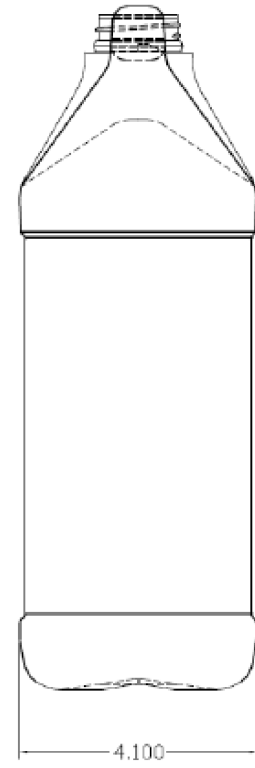
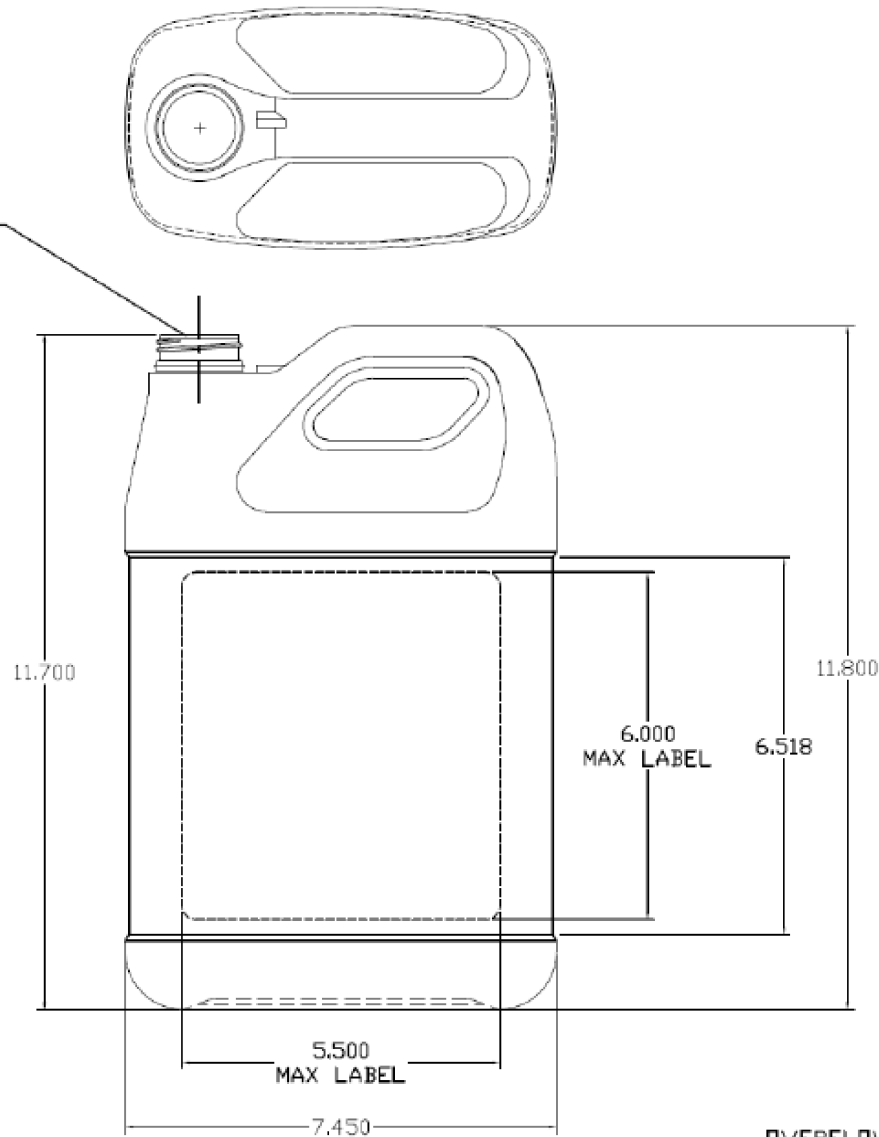



38mm-REXAM CR SNAPLOK



OVERFLOW CAPACITY = 144 FL/OZ

		30310 Emerald Valley Pkwy Glenwillow, OH 44139		
		PPC ITEM NUMBER: 65293		SKU: 04-05-032-00053
DRAWN BY: -		CHECKED BY: -		DATE: 12/6/2018
DESCRIPTION: 12oz F-Style HDPE Bottle				COLOR: -
PART MATERIAL: -		VOLUME: -		WEIGHT: -
DWG NO.: -		DWG SIZE: A		SHEET NO: 1 of 1
				REV: -

**PROPRIETARY AND CONFIDENTIAL**

THE INFORMATION CONTAINED IN THIS DRAWING IS THE SOLE PROPERTY OF PIPELINE PACKAGING. ANY REPRODUCTION IN PART OR AS A WHOLE WITHOUT THE WRITTEN PERMISSION OF PIPELINE PACKAGING IS PROHIBITED.

**UNLESS OTHERWISE SPECIFIED:**

UNITS OF MEASURE: Inches

TOLERANCES: Specified in drawing