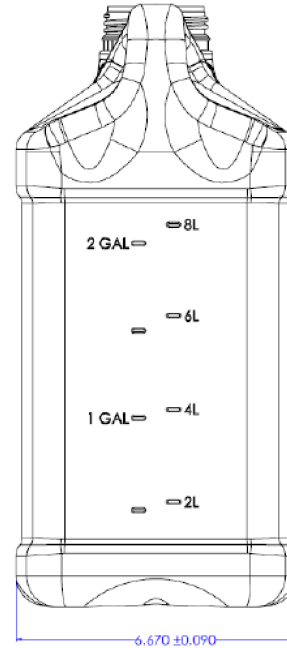
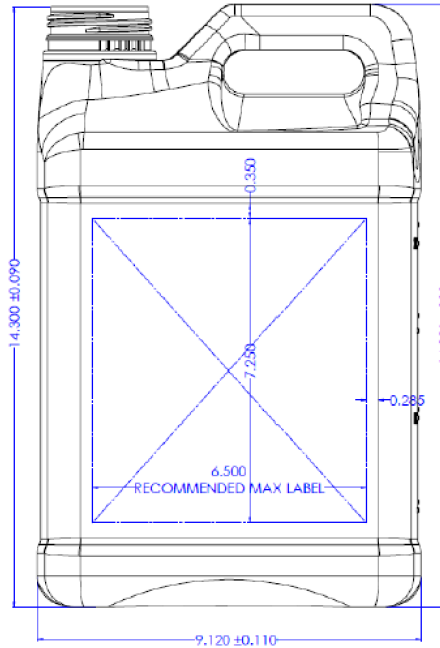
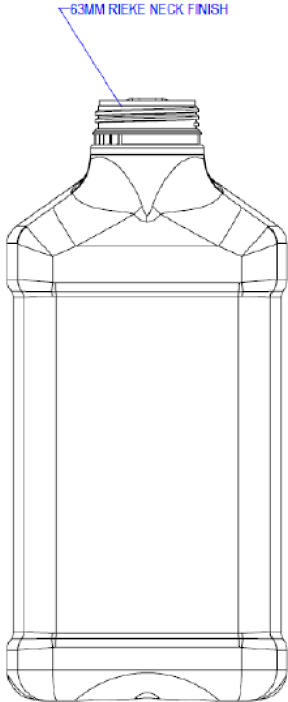
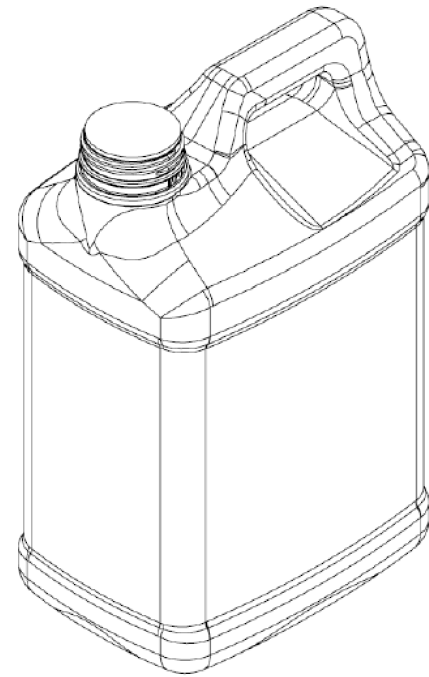
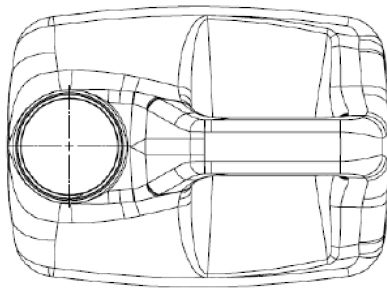
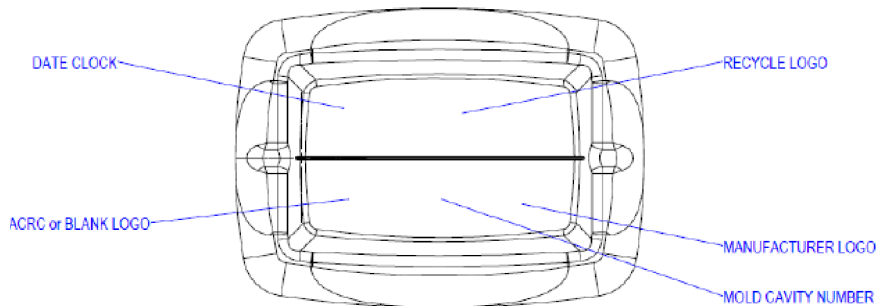



63MM-RIEKE TE/ABO, NECK FINISH  
 RIEKE DRAWING #18001520  
 DETAIL #M0768-002-A

T<sub>1</sub> - 2.495 ± 0.020  
 T<sub>2</sub> - 2.350 ± 0.020  
 S<sub>1</sub> - 0.165 ± 0.015  
 H<sub>1</sub> - 1.070 ± 0.015  
 BEAD Ø = 2.560 ± 0.020  
 RATCHET Ø = 2.500 ± 0.020



NOTES:  
 1. OVERFLOW CAPACITY = 10.88L (10880cc)



		30310 Emerald Valley Pkwy Glenwillow, OH 44139	
PPC ITEM NUMBER:		SKU:	
65737		04-05-032-00106	
DRAWN BY:	CHECKED BY:	DATE:	
-	-	12/13/2018	
DESCRIPTION:		COLOR:	
2.5 Gal F-Style HDPE Bottle		-	
PART MATERIAL:	VOLUME:	WEIGHT:	
-	-	-	
DWG NO.:	DWG SIZE:	SHEET NO.:	REV:
-	A	1 of 1	-

**PROPRIETARY AND CONFIDENTIAL**

THE INFORMATION CONTAINED IN THIS DRAWING IS THE SOLE PROPERTY OF PIPELINE PACKAGING. ANY REPRODUCTION IN PART OR AS A WHOLE WITHOUT THE WRITTEN PERMISSION OF PIPELINE PACKAGING IS PROHIBITED.

**UNLESS OTHERWISE SPECIFIED:**

UNITS OF MEASURE: Inches

TOLERANCES: Specified in drawing