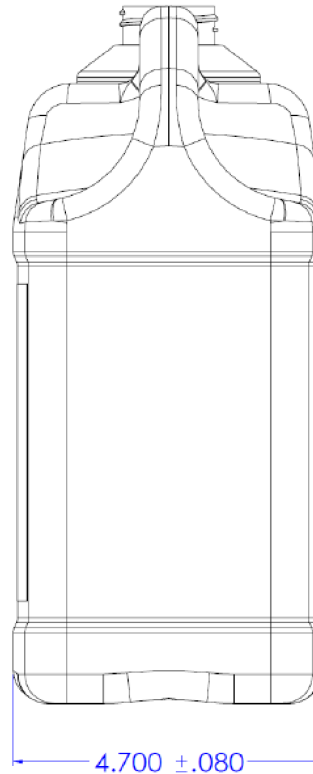
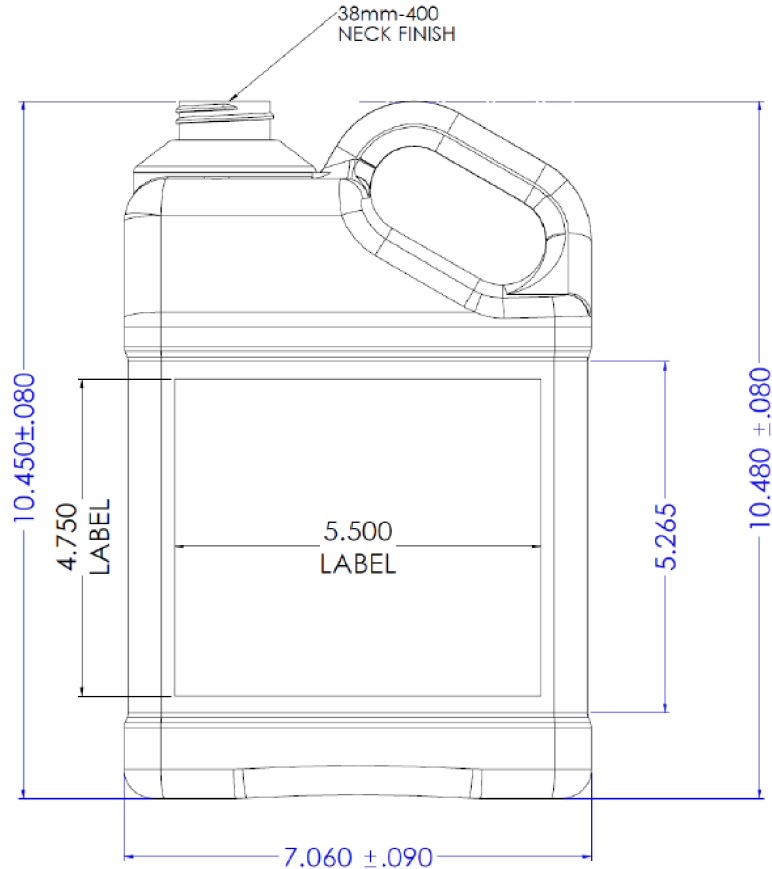
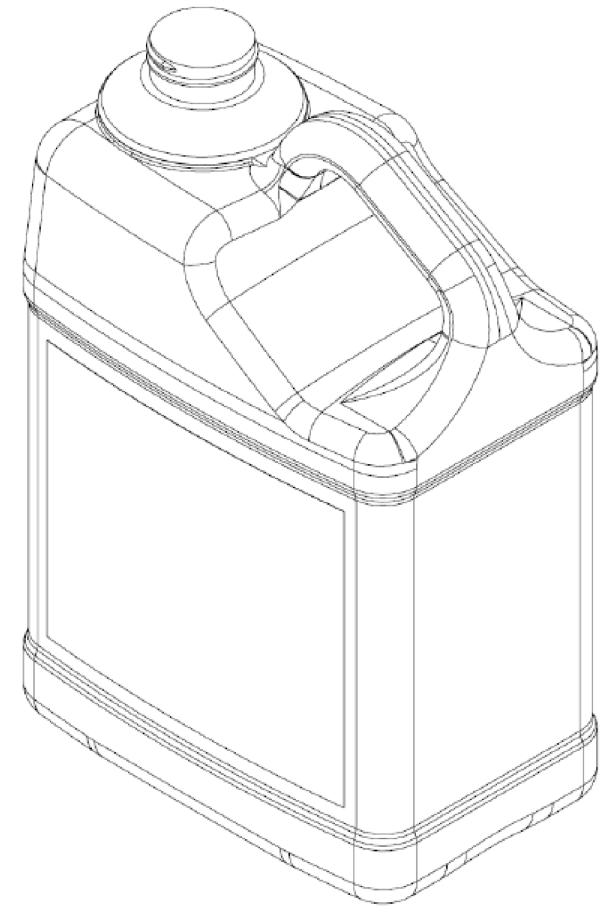


FINISH: M38SP410 SPECIAL
 MODIFIED BUTTRESS THREAD,
 6 T.P.I. x 1 1/2 FULL TURN OF THD.
 "T" DIA. = 1.476/1.464/1.452
 "E" DIA. = 1.382/1.370/1.358
 "S" = .061/.046/.031
 "H" = .600/.585/.570



NOTES:
 1. OVERFLOW CAPACITY = 145 FL/OZ.



Pipeline Packaging

30310 Emerald Valley Pkwy
 Glenwillow, OH 44139

PPC ITEM NUMBER: 65847		SKU: 04-05-032-00122	
DRAWN BY: -		CHECKED BY: -	
		DATE: 2/12/2019	
DESCRIPTION: 4 L F-Style HDPE Bottle			COLOR: -
PART MATERIAL: HDPE		VOLUME: 4 Liters	WEIGHT: -
DWG NO.: -		DWG SIZE: A	SHEET NO.: 1 of 1
		REV: -	

PROPRIETARY AND CONFIDENTIAL

THE INFORMATION CONTAINED IN THIS DRAWING IS THE SOLE PROPERTY OF PIPELINE PACKAGING. ANY REPRODUCTION IN PART OR AS A WHOLE WITHOUT THE WRITTEN PERMISSION OF PIPELINE PACKAGING IS PROHIBITED.

UNLESS OTHERWISE SPECIFIED:

UNITS OF MEASURE: Inches

TOLERANCES: Specified in drawing