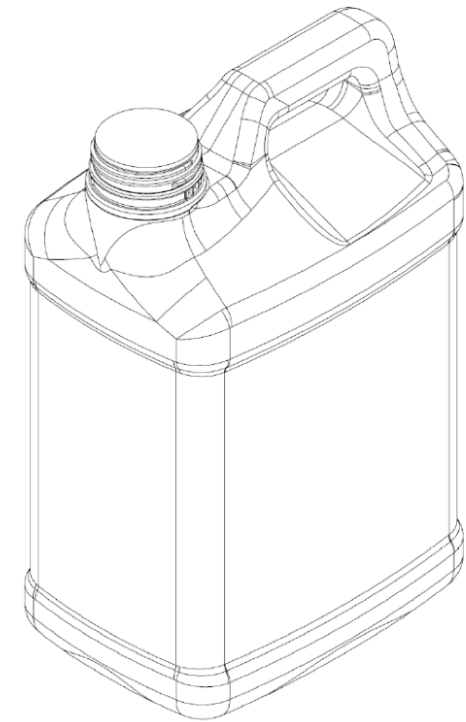
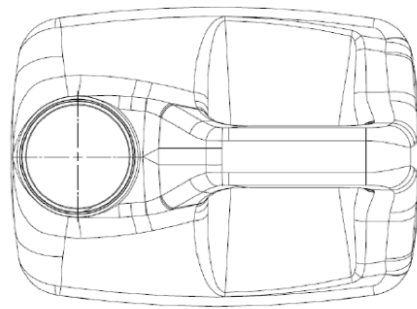
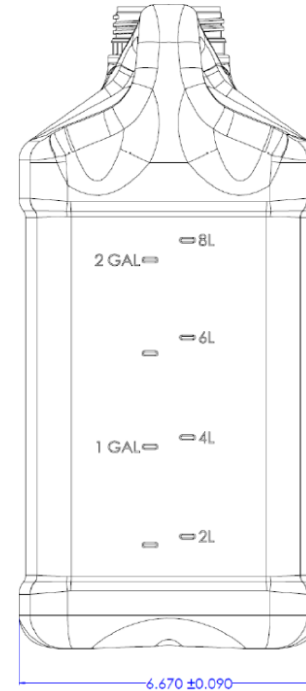
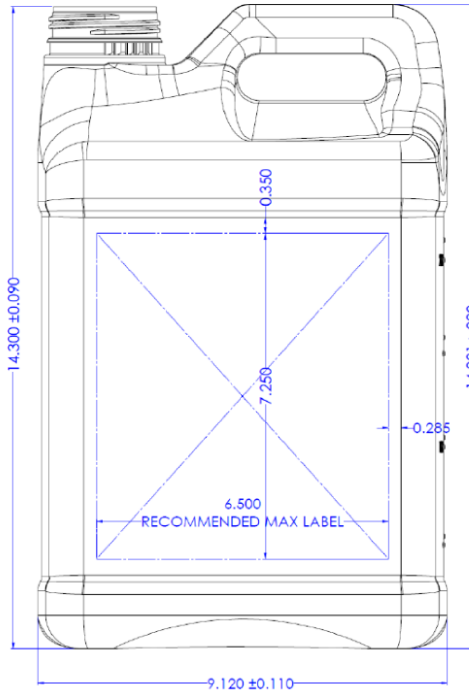
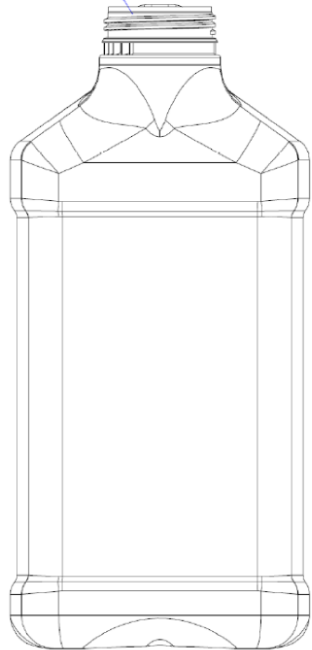


63MM-RIEKE TE/ABO NECK FINISH  
 RIEKE DRAWING #18001520-  
 DETAIL #M0768-002-A

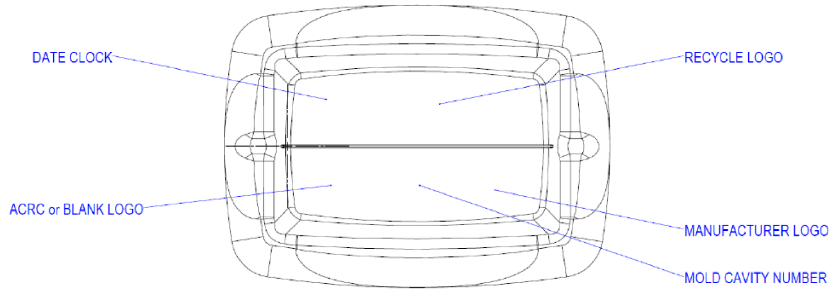
T" - 2.495 ± .020  
 E" - 2.350 ± .020  
 S" - 0.165 ± .015  
 H" - 1.070 ± .015  
 BEAD  $\phi$  = 2.560 ± .020  
 RATCHET  $\phi$  = 2.500 ± .020



63MM RIEKE NECK FINISH



NOTES:  
 1. OVERFLOW CAPACITY = 10.88L (10880cc).



**Pipeline Packaging** 30310 Emerald Valley Pkwy  
 Glenwillow, OH 44139

PPC ITEM NUMBER: 65885 SKU: 04-05-032-00125  
 DRAWN BY: - CHECKED BY: - DATE: 2/12/2019

DESCRIPTION: 2.5 Gal F-Style HDPE Bottle COLOR: -  
 PART MATERIAL: - VOLUME: - WEIGHT: -  
 DWG NO.: - DWG SIZE: A SHEET NO: 1 of 1 REV: -

**PROPRIETARY AND CONFIDENTIAL**  
 THE INFORMATION CONTAINED IN THIS DRAWING IS THE SOLE PROPERTY OF PIPELINE PACKAGING. ANY REPRODUCTION IN PART OR AS A WHOLE WITHOUT THE WRITTEN PERMISSION OF PIPELINE PACKAGING IS PROHIBITED.

**UNLESS OTHERWISE SPECIFIED:**  
 UNITS OF MEASURE: Inches  
 TOLERANCES: Specified in drawing