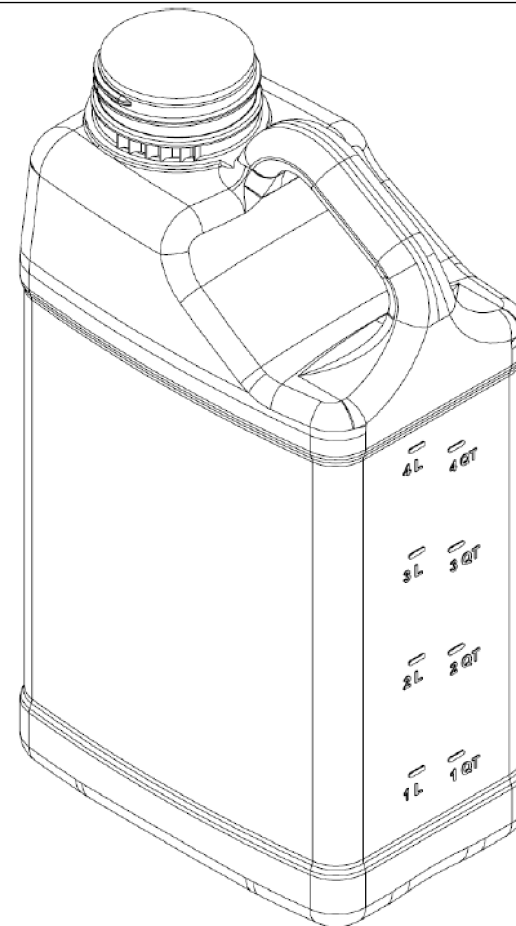
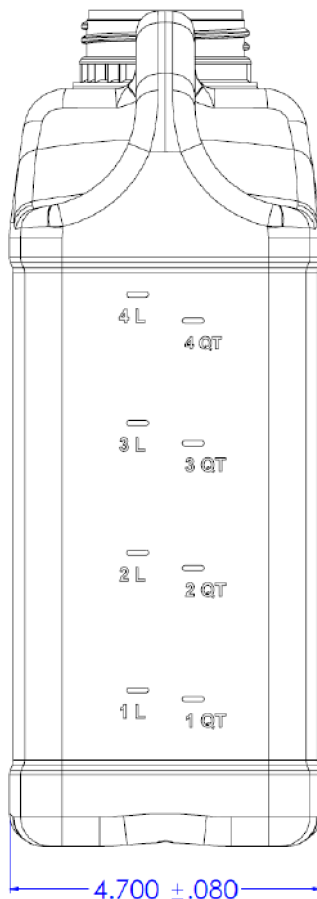
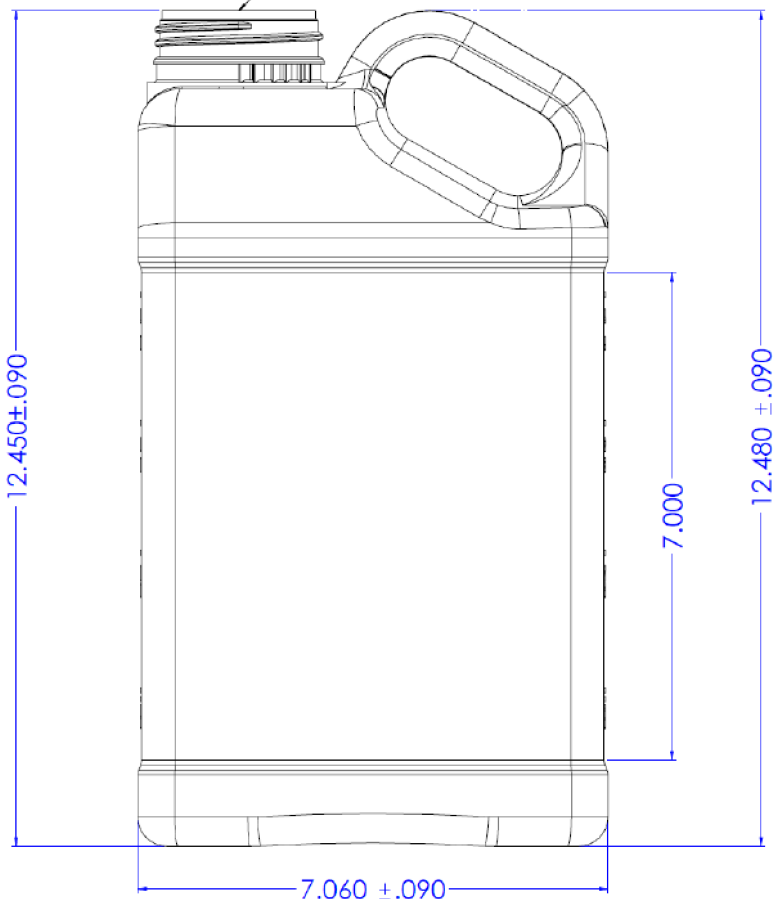


63MM-RIEKE TE/ABO + CR NECK FINISH
 RIEKE DRAWING #18001520 -
 DETAIL #M0768-002-A

"T" - 2.495 ±.020
 "E" - 2.350 ±.020
 "S" - 0.165 ±.015
 "H" - 1.070 ±.015
 BEAD ϕ = 2.560 ±.020
 RATCHET ϕ = 2.500 ±.020

63MM-RIEKE TE/ABO
 NECK FINISH



NOTES:

1. OVERFLOW CAPACITY = 180 FL/OZ.
2. MATERIAL = H.D.P.E.
3. MOLD SETS = (4)
 MOLDS--10-11-12-----TX PLANT
 MOLDS--16-17-18-----IA PLANT
 MOLDS--25-26-27-28---IA PLANT
 MOLDS--29-30-31-----GA PLANT
4. FILL LEVEL GRADUATIONS ONLY MOLDS BELOW
 MOLDS--10-11-12---TX PLANT---NECK & HANDLE SIDE
 MOLDS--16-17-18---IA PLANT----HANDLE SIDE
5. VIEWSTRIPE CAPABLE.



Pipeline Packaging

30310 Emerald Valley Pkwy
 Glenwillow, OH 44139

PPC ITEM NUMBER: 66956		SKU: 04-05-032-00160	
DRAWN BY: -		CHECKED BY: -	
		DATE: 2/12/2019	
DESCRIPTION: 5 L F-Style HDPE Bottle			COLOR: -
PART MATERIAL: -	VOLUME: -	WEIGHT: -	
DWG NO.:	DWG SIZE: A	SHEET NO: 1 of 1	REV: -

PROPRIETARY AND CONFIDENTIAL

THE INFORMATION CONTAINED IN THIS DRAWING IS THE SOLE PROPERTY OF PIPELINE PACKAGING. ANY REPRODUCTION IN PART OR AS A WHOLE WITHOUT THE WRITTEN PERMISSION OF PIPELINE PACKAGING IS PROHIBITED.

UNLESS OTHERWISE SPECIFIED:

UNITS OF MEASURE: Inches
 TOLERANCES: Specified in drawing