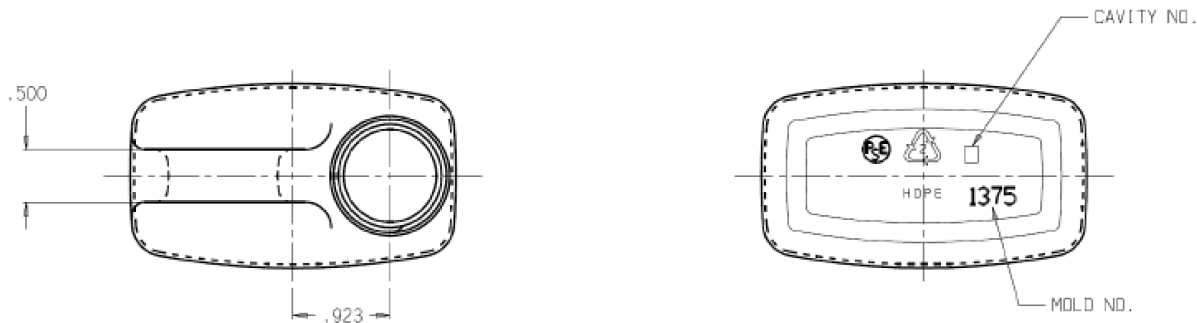


NOTES:

1. FULL SCALE
2. STANDARD SPI TOLERANCES APPLY
3. MATERIAL : H.D.P.E.
4. ESTIMATED BOTTLE WEIGHT = 25 ± 1 GRAMS
5. OVERFLOW CAPACITY = 318 ± 9 CC
= 10.75 ± .34 FL. OZ.
6. ESTIMATED BULGE = 2 CC



Pipeline Packaging 30310 Emerald Valley Pkwy
Glenwillow, OH 44139

PPC ITEM NUMBER: 65515	SKU: 04-05-032-00196
DRAWN BY: -	CHECKED BY: -
DATE: 12/6/2018	

DESCRIPTION: 8oz F-Style HDPE Bottle	COLOR: -
PART MATERIAL: -	VOLUME: -
DWG NO.: -	WEIGHT: -
DWG SIZE: A	SHEET NO: 1 of 1
	REV: -

PROPRIETARY AND CONFIDENTIAL

THE INFORMATION CONTAINED IN THIS DRAWING IS THE SOLE PROPERTY OF PIPELINE PACKAGING. ANY REPRODUCTION IN PART OR AS A WHOLE WITHOUT THE WRITTEN PERMISSION OF PIPELINE PACKAGING IS PROHIBITED.

UNLESS OTHERWISE SPECIFIED:

UNITS OF MEASURE: Inches

TOLERANCES: Specified in drawing