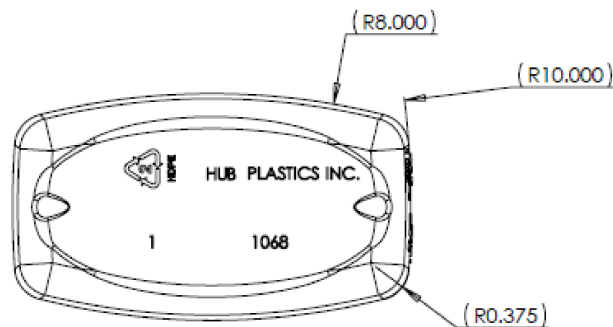



45 mm CR FINISH		
SYM.	MAX.	MIN.
T	1.740	1.710
F	1.646	1.616
H	0.565	0.535
S	0.061	0.031
I	0.000	1.251
L	0.000	0.000




**30310 Emerald Valley Pkwy
Glenwillow, OH 44139**

PPC ITEM NUMBER: 65776 SKU: 04-05-032-00201
 DRAWN BY: - CHECKED BY: - DATE: 3/12/2020

DESCRIPTION: 32 oz White HDPE F Style 45-400 View Stripe			
PART MATERIAL: -	VOLUME: -	WEIGHT: -	
DWG NO.: -	DWG SIZE: A	SHEET NO: 1 of 1	REV: -

PROPRIETARY AND CONFIDENTIAL

THE INFORMATION CONTAINED IN THIS DRAWING IS THE SOLE PROPERTY OF PIPELINE PACKAGING. ANY REPRODUCTION IN PART OR AS A WHOLE WITHOUT THE WRITTEN PERMISSION OF PIPELINE PACKAGING IS PROHIBITED.

UNLESS OTHERWISE SPECIFIED:

UNITS OF MEASURE: Inches

TOLERANCES: Specified in drawing