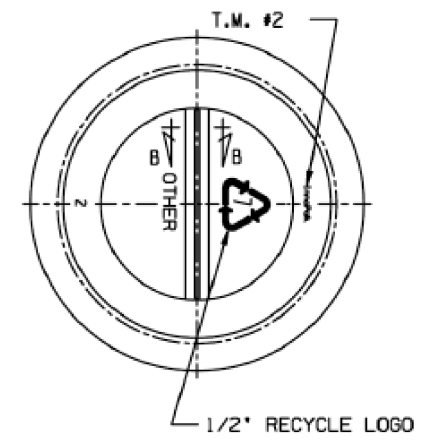


SECTION 'B-B'
SCALE 10 : 1



- NOTES :
- 1) OVERFLOW CAPACITY : 34.01 ± .51 FL.OZ.
(1005.7 ± 15.0 CC'S.)
 - 2) WEIGHT : 65.0 ± 3.5 GRAMS

pipeline Packaging 30310 Emerald Valley Pkwy
Glenwillow, OH 44139

PPC ITEM NUMBER: 65118 SKU: 04-05-043-00117
DRAWN BY: - CHECKED BY: - DATE: 12/6/2018

DESCRIPTION: 32oz Modern Round HDPE Bottle COLOR: -
PART MATERIAL: - VOLUME: - WEIGHT: -
DWG NO.: - DWG SIZE: A SHEET NO: 1 of 1 REV: -

PROPRIETARY AND CONFIDENTIAL
THE INFORMATION CONTAINED IN THIS DRAWING IS THE SOLE PROPERTY OF PIPELINE PACKAGING. ANY REPRODUCTION IN PART OR AS A WHOLE WITHOUT THE WRITTEN PERMISSION OF PIPELINE PACKAGING IS PROHIBITED.

UNLESS OTHERWISE SPECIFIED:
UNITS OF MEASURE: Inches
TOLERANCES: Specified in drawing