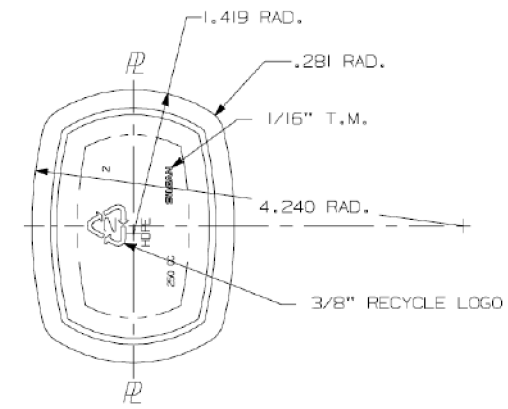
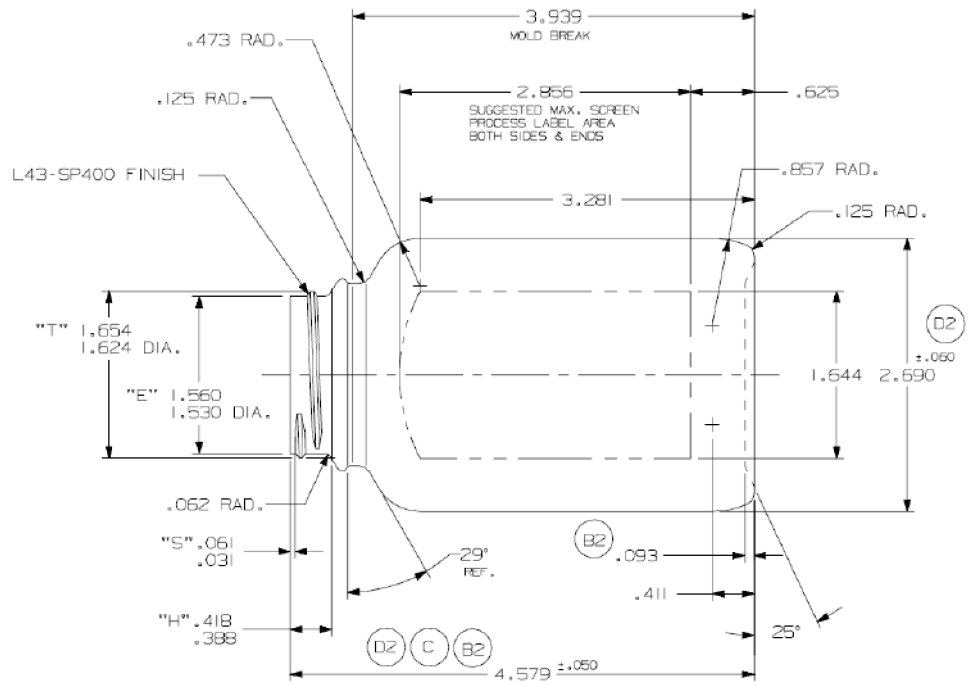


BEAD DETAIL



NOTES :

- 1) OVERFLOW CAPACITY : 9.49 ± .24 FL.OZ. (280.6 ± 7.0 CC'S.)
- 2) WEIGHT : 23.0 ± 1.5 GRAMS

pipeline Packaging 30310 Emerald Valley Pkwy
Glenwillow, OH 44139

PPC ITEM NUMBER: 65617	SKU: 04-05-053-00096
DRAWN BY:	CHECKED BY:
	DATE: 12/13/2018

DESCRIPTION: 250cc Packer HDPE Bottle	COLOR: -
PART MATERIAL: -	VOLUME: -
WEIGHT: -	
DWG NO.:	DWG SIZE: A
SHEET NO: 1 of 1	REV: -

PROPRIETARY AND CONFIDENTIAL

THE INFORMATION CONTAINED IN THIS DRAWING IS THE SOLE PROPERTY OF PIPELINE PACKAGING. ANY REPRODUCTION IN PART OR AS A WHOLE WITHOUT THE WRITTEN PERMISSION OF PIPELINE PACKAGING IS PROHIBITED.

UNLESS OTHERWISE SPECIFIED:

UNITS OF MEASURE: Inches

TOLERANCES: Specified in drawing