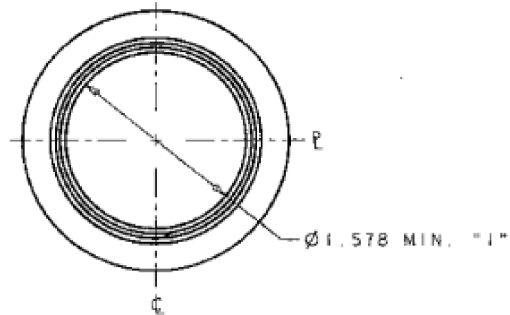
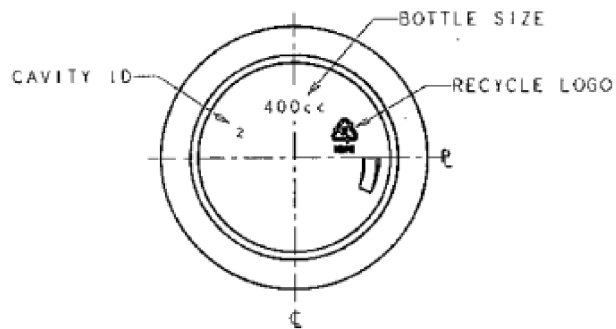


FINSH DETAIL



- NOTES:
- 1) NECK FINISH - M53SP400 6 T.P.I. 1 FULL TURN OF THREAD
 - 2) MIN. WALL .015
 - 3) REF. TITAN DWG. # B-05-94-06
 - 4) 32.4 NAT / 33.0 WHT GRAMS±2.0

pipeline Packaging 30310 Emerald Valley Pkwy
Glenwillow, OH 44139

PPC ITEM NUMBER: 65841	SKU: 04-05-053-00146
DRAWN BY:	CHECKED BY:
	DATE: 12/13/2018

DESCRIPTION: 400cc Packer HDPE Bottle	COLOR: -
PART MATERIAL: -	VOLUME: -
DWG NO.:	WEIGHT: -
DWG SIZE: A	SHEET NO: 1 of 1
	REV: -

PROPRIETARY AND CONFIDENTIAL

THE INFORMATION CONTAINED IN THIS DRAWING IS THE SOLE PROPERTY OF PIPELINE PACKAGING. ANY REPRODUCTION IN PART OR AS A WHOLE WITHOUT THE WRITTEN PERMISSION OF PIPELINE PACKAGING IS PROHIBITED.

UNLESS OTHERWISE SPECIFIED:

UNITS OF MEASURE: Inches

TOLERANCES: Specified in drawing