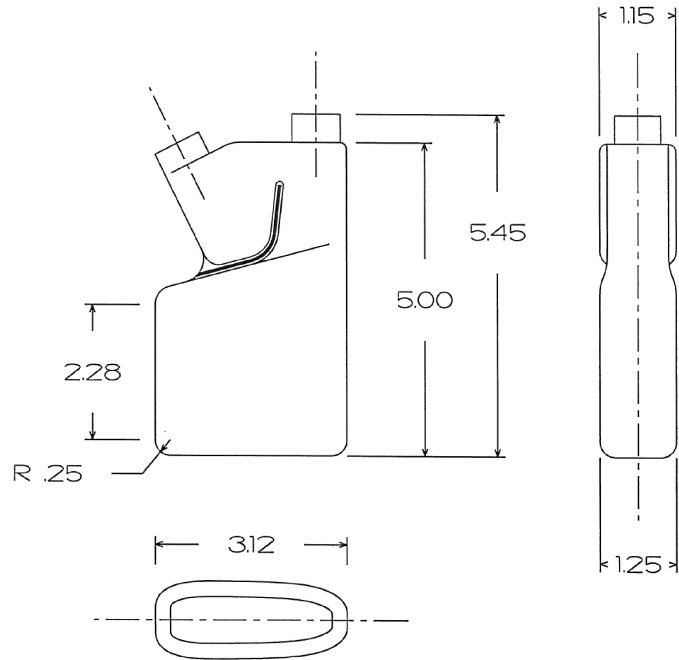



Container Mfg., Inc.
 50 Baekeland Ave.
 Middlesex, NJ 08846

Technical Data

<u>Bottle:</u> 4 oz. tip "N" measure	
<u>Material:</u> HDPE	<u>Packing:</u> 350 units/carton
<u>Chamber Finish:</u> 22-400	<u>Other:</u> Weight – 32 grams (+ - 5 grams)
<u>Fill Opening Finish:</u> 22-400	This print of facsimile is the exclusive property of Container Mfg., Inc. and may not be reproduced without the express written consent of Container Mfg., Inc.



		30310 Emerald Valley Pkwy Glenwillow, OH 44139	
		PPC ITEM NUMBER: 64102	SKU: 04-05-083-00144
DRAWN BY: -	CHECKED BY: -	DATE: 12/18/2018	
DESCRIPTION: 4oz Twin Neck HDPE Bottle		COLOR: -	
PART MATERIAL: -	VOLUME: -	WEIGHT: -	
DWG NO.: -	DWG SIZE: A	SHEET NO: 1 of 1	REV: -

PROPRIETARY AND CONFIDENTIAL

THE INFORMATION CONTAINED IN THIS DRAWING IS THE SOLE PROPERTY OF PIPELINE PACKAGING. ANY REPRODUCTION IN PART OR AS A WHOLE WITHOUT THE WRITTEN PERMISSION OF PIPELINE PACKAGING IS PROHIBITED.

UNLESS OTHERWISE SPECIFIED:

UNITS OF MEASURE: Inches

TOLERANCES: Specified in drawing