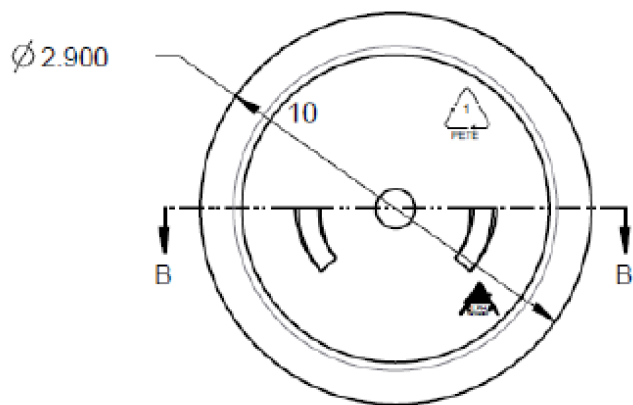


Overflow Capacity: 523 ml ± 11



**Pipeline Packaging** 30310 Emerald Valley Pkwy  
Glenwillow, OH 44139

PPC ITEM NUMBER: 68326      SKU: 04-10-011-00057  
DRAWN BY: -      CHECKED BY: -      DATE: 2/13/2019

DESCRIPTION: 16 oz Boston Round PET Bottle      COLOR: -  
PART MATERIAL: -      VOLUME: -      WEIGHT: -  
DWG NO.: -      DWG SIZE: A      SHEET NO: 1 of 1      REV: -

**PROPRIETARY AND CONFIDENTIAL**  
THE INFORMATION CONTAINED IN THIS DRAWING IS THE SOLE PROPERTY OF PIPELINE PACKAGING. ANY REPRODUCTION IN PART OR AS A WHOLE WITHOUT THE WRITTEN PERMISSION OF PIPELINE PACKAGING IS PROHIBITED.

**UNLESS OTHERWISE SPECIFIED:**  
UNITS OF MEASURE: Inches  
TOLERANCES: Specified in drawing