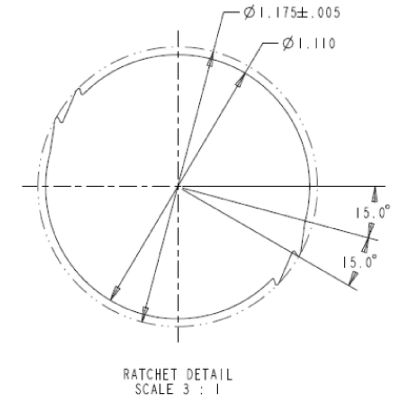
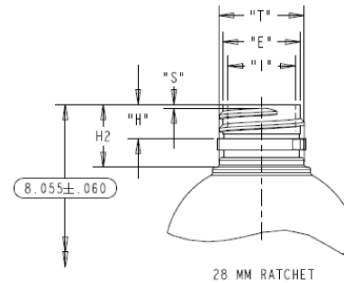
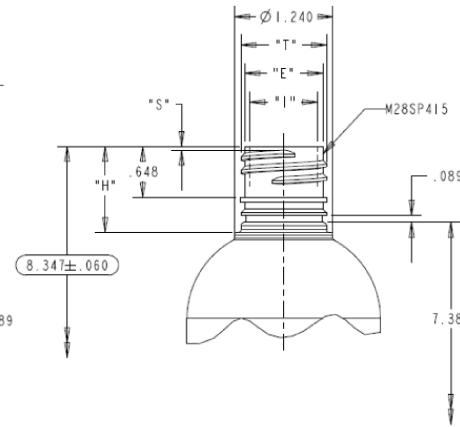
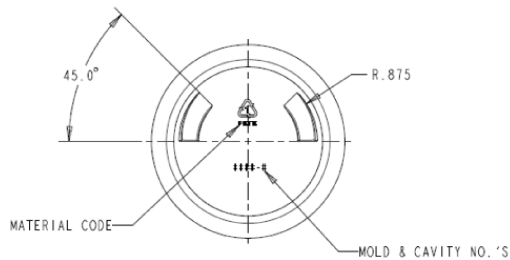
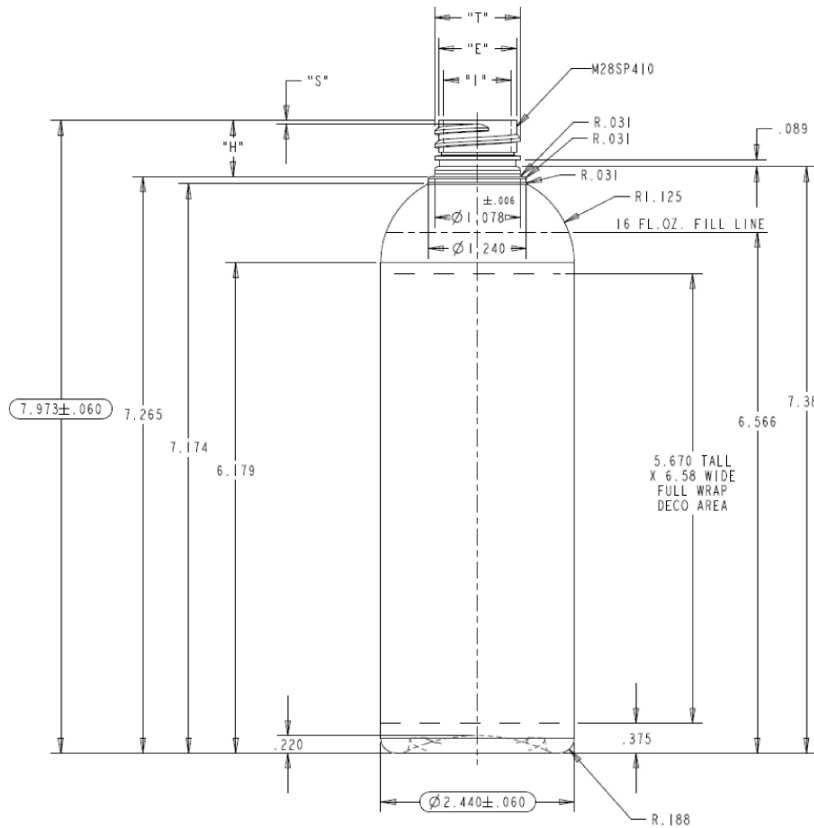


NECK FINISH	BOTTLE WEIGHT (±1.5GR)	OVERFLOW CAPACITY (±9.0CC)	"T" DIA	"E" DIA	"H" DIM	"H2" DIM	"S" DIM	"I" DIA	MIN WALL THICKNESS
M28SP410	36.5 31.0	511.5 515.5	1.088 1.068	.994 .974	.723 .693	---	.061 .031	.614 MIN.	.008
M28SP415	35.5	515.0	1.088 1.068	.994 .974	1.097 1.067	---	.061 .031	.614 MIN.	.008
28MM RATCHET	36.4 31.0	510.0 514.1	1.087 1.067	.991 .971	.445 .415	.805 .775	.061 .031	.614 MIN.	.008



Pipeline Packaging

30310 Emerald Valley Pkwy
Glenwillow, OH 44139

PPC ITEM NUMBER:

68043

SKU:

04-10-012-00181

DRAWN BY:

CHECKED BY:

DATE:

2/13/2019

DESCRIPTION:

16 oz Bullet (Cosmo) PET Bottle

COLOR:

-

PART MATERIAL:

VOLUME:

WEIGHT:

DWG NO.:

DWG SIZE:

SHEET NO:

REV:

A

1 of 1

-

PROPRIETARY AND CONFIDENTIAL

THE INFORMATION CONTAINED IN THIS DRAWING IS THE SOLE PROPERTY OF PIPELINE PACKAGING. ANY REPRODUCTION IN PART OR AS A WHOLE WITHOUT THE WRITTEN PERMISSION OF PIPELINE PACKAGING IS PROHIBITED.

UNLESS OTHERWISE SPECIFIED:

UNITS OF MEASURE: Inches

TOLERANCES: Specified in drawing