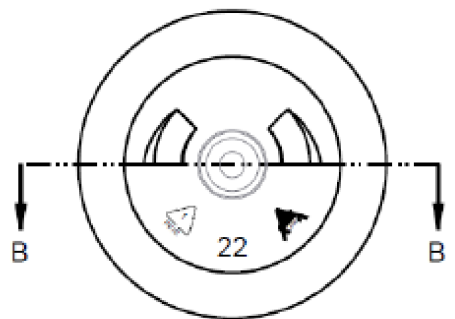
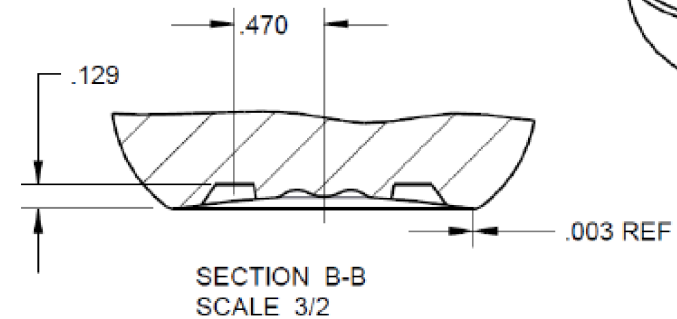
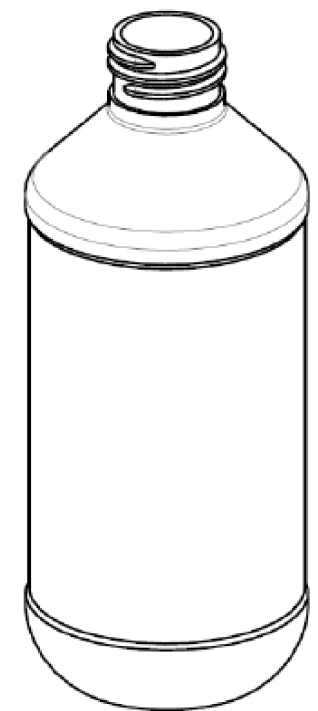


T =	.932±	.008
E =	.848±	.008
H =	.646±	.015
I =	.516 MIN	
S =	.046±	.015

DETAIL A

Overflow Capacity: 261 ml ± 7



		30310 Emerald Valley Pkwy Glenwillow, OH 44139	
PPC ITEM NUMBER:		SKU:	
68109		04-10-043-00198	
DRAWN BY:		CHECKED BY:	DATE:
-		-	2/13/2019
DESCRIPTION:			COLOR:
8 oz Modem Round PET Bottle			-
PART MATERIAL:		VOLUME:	WEIGHT:
-		-	25.8±3 gm
DWG NO.:		DWG SIZE:	SHEET NO:
-		A	1 of 1
		REV:	-

PROPRIETARY AND CONFIDENTIAL

THE INFORMATION CONTAINED IN THIS DRAWING IS THE SOLE PROPERTY OF PIPELINE PACKAGING. ANY REPRODUCTION IN PART OR AS A WHOLE WITHOUT THE WRITTEN PERMISSION OF PIPELINE PACKAGING IS PROHIBITED.

UNLESS OTHERWISE SPECIFIED:

UNITS OF MEASURE: Inches

TOLERANCES: Specified in drawing