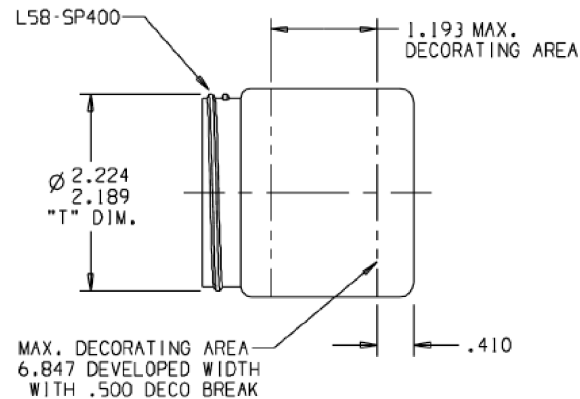


NOTES :

- 1) OVERFLOW CAPACITY : 4.90 ± .17 FL.OZ.  
( 144.9 ± 5.0 CC'S. )
- 2) WEIGHT : 18.9 ± 1.5 GRAMS



 30310 Emerald Valley Pkwy  
Glenwillow, OH 44139

PPC ITEM NUMBER: 66135      SKU: 04-10-085-00134

DRAWN BY: -      CHECKED BY: -      DATE: 2/12/2019

DESCRIPTION: 4 oz Wide Mouth PET Bottle      COLOR: -

PART MATERIAL: -      VOLUME: -      WEIGHT: -

DWG NO.: -      DWG SIZE: A      SHEET NO: 1 of 1      REV: -

**PROPRIETARY AND CONFIDENTIAL**

THE INFORMATION CONTAINED IN THIS DRAWING IS THE SOLE PROPERTY OF PIPELINE PACKAGING. ANY REPRODUCTION IN PART OR AS A WHOLE WITHOUT THE WRITTEN PERMISSION OF PIPELINE PACKAGING IS PROHIBITED.

**UNLESS OTHERWISE SPECIFIED:**

UNITS OF MEASURE: Inches

TOLERANCES: Specified in drawing