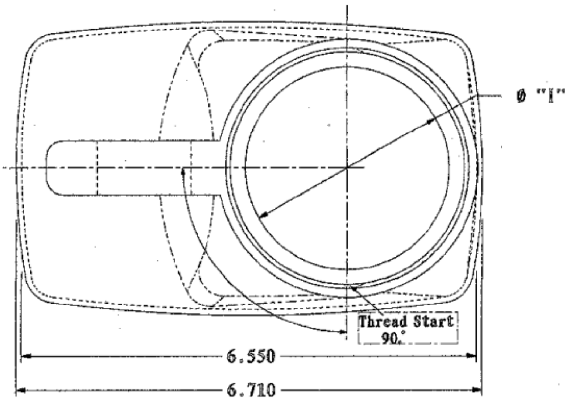
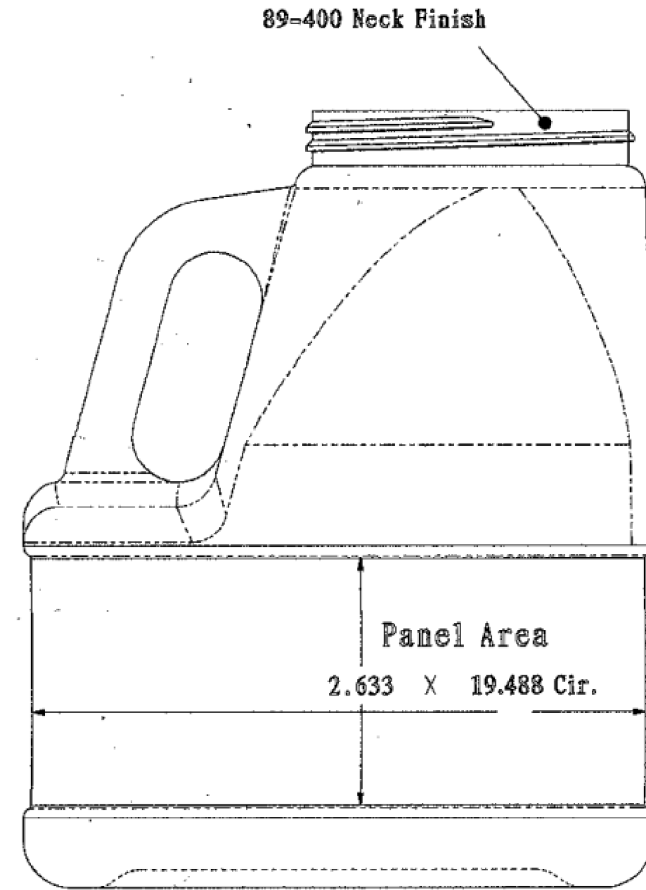


$T = 3.493 \pm .017$
 $E = 3.3735 \pm .017$
 $H = .535 \pm .015$
 $S = .060 \pm .015$
 $I = \min 2.918 \text{ } \emptyset$




 30310 Emerald Valley Pkwy
 Glenwillow, OH 44139

PPC ITEM NUMBER: 67117 SKU: 04-16-032-00206
 DRAWN BY: CHECKED BY: DATE: 2/12/2019

DESCRIPTION: 86 oz F-Style PP Bottle COLOR:

PART MATERIAL: VOLUME: WEIGHT:

DWG NO.: DWG SIZE: A SHEET NO: 1 of 1 REV: -

PROPRIETARY AND CONFIDENTIAL
 THE INFORMATION CONTAINED IN THIS DRAWING IS THE SOLE PROPERTY OF PIPELINE PACKAGING. ANY REPRODUCTION IN PART OR AS A WHOLE WITHOUT THE WRITTEN PERMISSION OF PIPELINE PACKAGING IS PROHIBITED.

UNLESS OTHERWISE SPECIFIED:
 UNITS OF MEASURE: Inches
 TOLERANCES: Specified in drawing