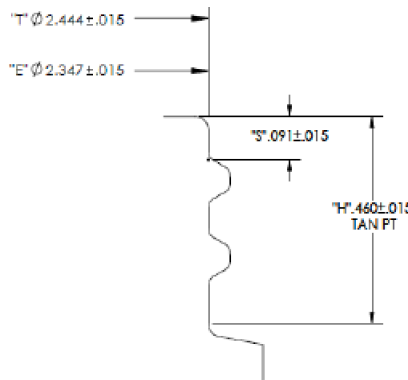
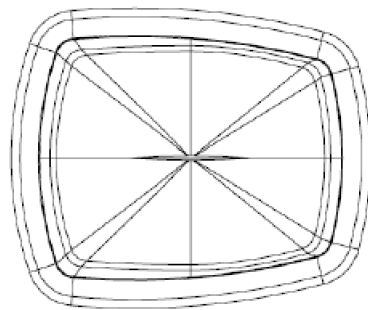
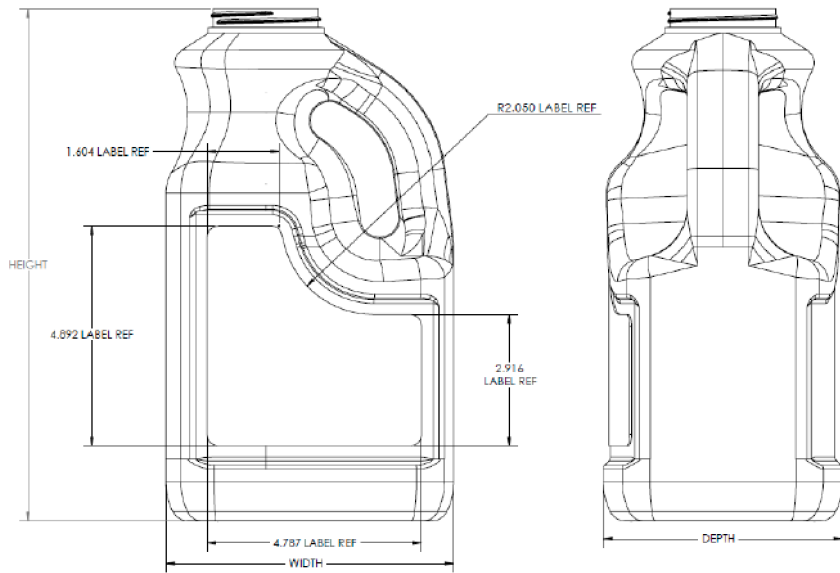
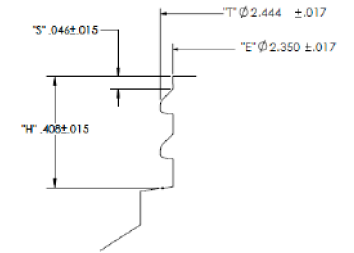


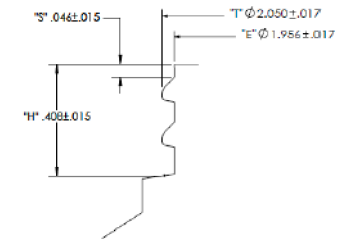
FINISH	WEIGHT (G)	HEIGHT (IN)	WIDTH (IN)	DEPTH (IN)	OFC (ML)	P/N
M63SP400	160 ± 8	11.395 ± .080	6.415 ± .060	5.340 ± .050	3904 ± 44	CE-128-0027-A
M63SP400	150 ± 8	11.395 ± .080	6.415 ± .060	5.340 ± .050	3933 ± 44	CE-128-0029-A
63MM MULTI LEAD	160 ± 8	11.437 ± .080	6.415 ± .060	5.340 ± .050	3904 ± 44	CE-128-0020-A
53MM CT	160 ± 8	11.395 ± .080	6.415 ± .060	5.340 ± .050	3904 ± 44	D-4042-P2



**FINISH - 63MM MULTI LEAD
QUAD LEAD
7 T.P.I.**



**FINISH - M63SP400
SINGLE LEAD
6 T.P.I.**



**FINISH - 53MM CT
SINGLE LEAD
6 T.P.I.**



30310 Emerald Valley Pkwy
Glenwillow, OH 44139

PPC ITEM NUMBER: 66268
SKU: 04-16-035-00045

DRAWN BY: - CHECKED BY: - DATE: 2/12/2019

DESCRIPTION: 128 oz Hot Fill PP Bottle
COLOR: -

PART MATERIAL: - VOLUME: - WEIGHT: -

DWG NO.: - DWG SIZE: A SHEET NO: 1 of 1 REV: -

PROPRIETARY AND CONFIDENTIAL

THE INFORMATION CONTAINED IN THIS DRAWING IS THE SOLE PROPERTY OF PIPELINE PACKAGING. ANY REPRODUCTION IN PART OR AS A WHOLE WITHOUT THE WRITTEN PERMISSION OF PIPELINE PACKAGING IS PROHIBITED.

UNLESS OTHERWISE SPECIFIED:

UNITS OF MEASURE: Inches
TOLERANCES: Specified in drawing