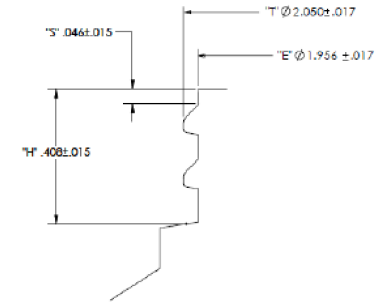
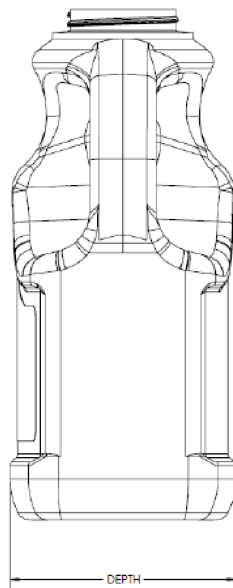
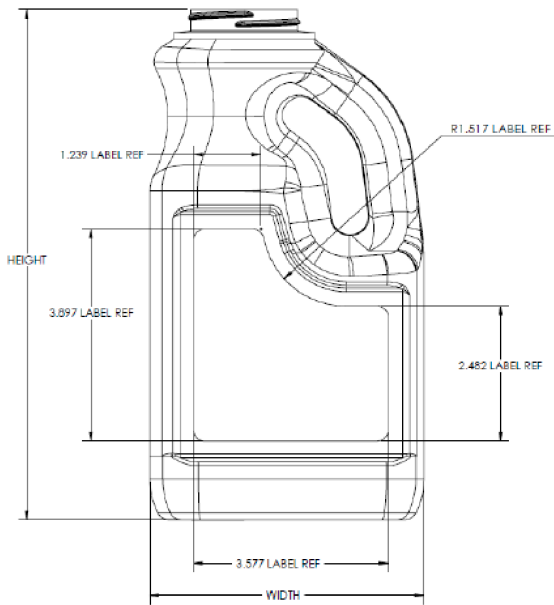
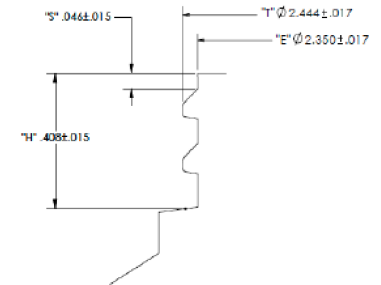


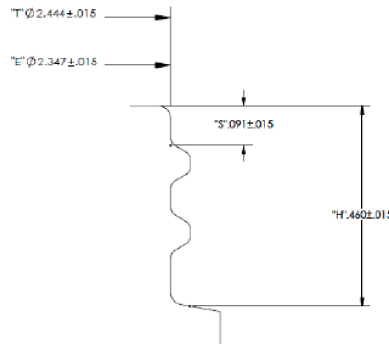
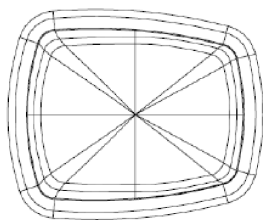
FINISH	WEIGHT (G)	HEIGHT (IN)	WIDTH (IN)	DEPTH (IN)	OFC (ML)	P/N
M53SP400	90 ± 5	9.375 ± .060	5.040 ± .050	4.150 ± .050	2011 ± 44	CE-064-0023-B
63MM CT	90 ± 5	9.347 ± .060	5.040 ± .050	4.150 ± .050	2011 ± 44	CE-064-0005-B
63MM MULTI LEAD	90 ± 5	9.425 ± .060	5.040 ± .050	4.150 ± .050	2026 ± 44	CE-064-0009-A



FINISH - M53SP400
SINGLE LEAD
6 T.P.I.



FINISH - 63MM CT
SINGLE LEAD
6 T.P.I.



FINISH - 63MM MULTI LEAD
QUAD LEAD
7 T.P.I.

Pipeline Packaging 30310 Emerald Valley Pkwy
Glenwillow, OH 44139

PPC ITEM NUMBER: 66264 SKU: 04-16-035-00135

DRAWN BY: - CHECKED BY: - DATE: 2/12/2019

DESCRIPTION: 64 oz Hot Fill PP Bottle COLOR: -

PART MATERIAL: - VOLUME: - WEIGHT: -

DWG NO.: - DWG SIZE: A SHEET NO: 1 of 1 REV: -

PROPRIETARY AND CONFIDENTIAL
THE INFORMATION CONTAINED IN THIS DRAWING IS THE SOLE PROPERTY OF PIPELINE PACKAGING. ANY REPRODUCTION IN PART OR AS A WHOLE WITHOUT THE WRITTEN PERMISSION OF PIPELINE PACKAGING IS PROHIBITED.

UNLESS OTHERWISE SPECIFIED:
UNITS OF MEASURE: Inches
TOLERANCES: Specified in drawing