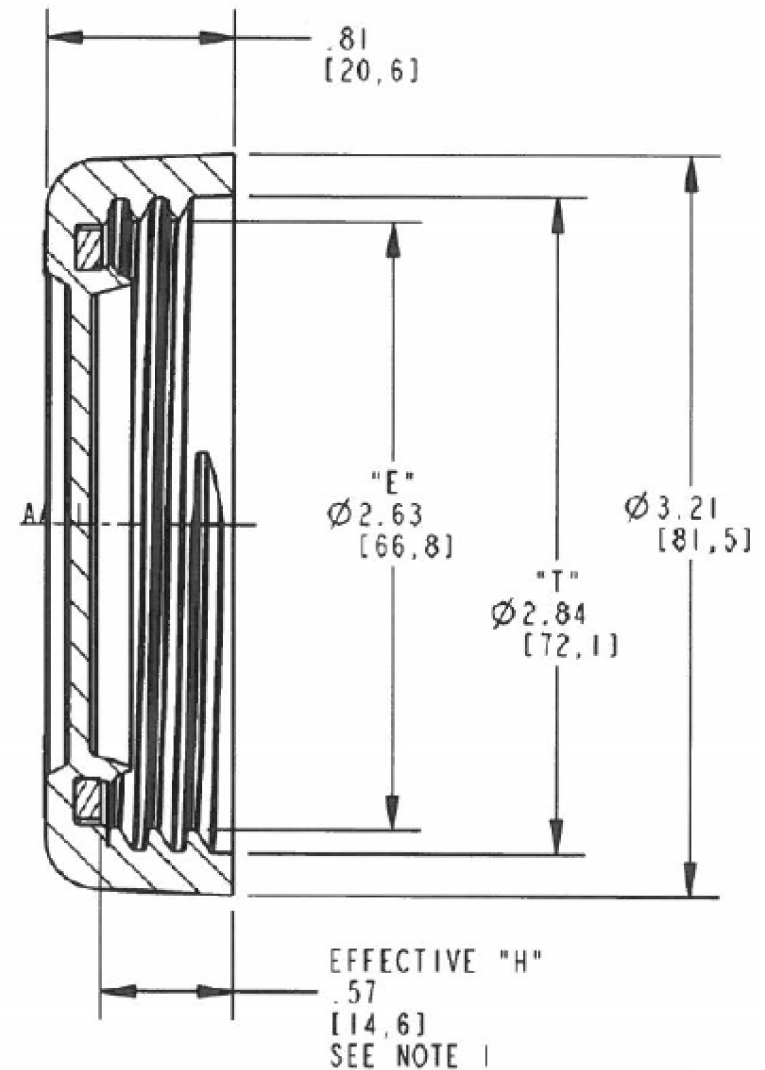



- NOTES:
- 1) EFFECTIVE "H" IS ESTABLISHED BY SUBTRACTING GASKET THICKNESS FROM OVERALL "H"
 - 2) MATERIALS USED MEET FDA REQUIREMENTS
 - 3) 6TPI, .167 PITCH



SECTION A-A

		30310 Emerald Valley Pkwy Glenwillow, OH 44139	
		PPC ITEM NUMBER: 72403	SKU: 05-05-019-00018
DRAWN BY: -	CHECKED BY: -	DATE: 2/18/2019	
DESCRIPTION: 70mm Cont. Thread HDPE Closure		COLOR: -	
PART MATERIAL: -	VOLUME: -	WEIGHT: -	
DWG NO.: -	DWG SIZE: A	SHEET NO: 1 of 1	REV: -

PROPRIETARY AND CONFIDENTIAL

THE INFORMATION CONTAINED IN THIS DRAWING IS THE SOLE PROPERTY OF PIPELINE PACKAGING. ANY REPRODUCTION IN PART OR AS A WHOLE WITHOUT THE WRITTEN PERMISSION OF PIPELINE PACKAGING IS PROHIBITED.

UNLESS OTHERWISE SPECIFIED:

UNITS OF MEASURE: Inches

TOLERANCES: Specified in drawing