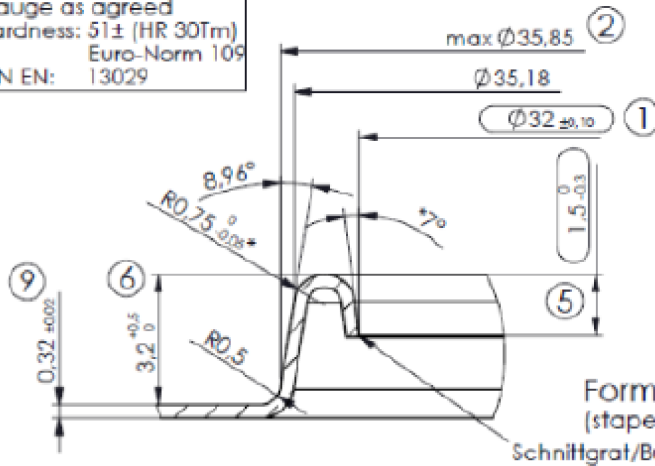
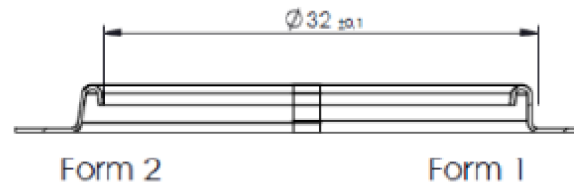
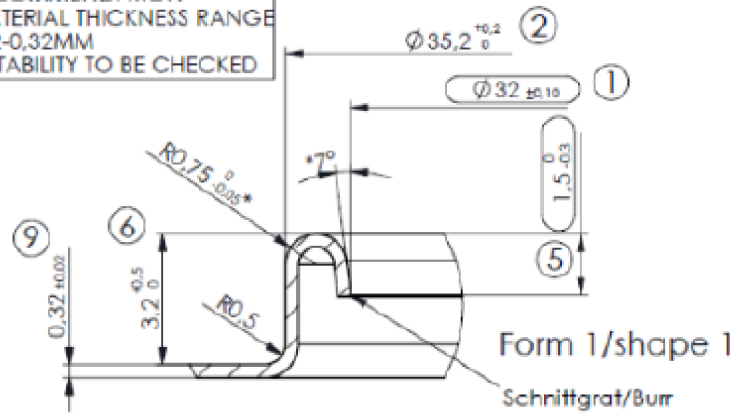


Weißblech-Feinstblech:
 Blechstärke nach Absprache
 Härte: 51±4 (HR 30Tm)
 Euro-Norm 109
 DIN EN: 13029

Tinplate-Blackplate:
 Gauge as agreed
 Hardness: 51± (HR 30Tm)
 Euro-Norm 109
 DIN EN: 13029



RECOMMENDATION
 MATERIAL THICKNESS RANGE
 0.22-0.32MM
 SUITABILITY TO BE CHECKED



Excerpt from DIN 16901 series 150

Dimension	0-3	3-6	6-10	10-15	15-22	22-30	30-40	40-53	53-70
Tolerance	±0,15	±0,17	±0,2	±0,24	±0,28	±0,33	±0,39	±0,47	±0,58



Pipeline Packaging

30310 Emerald Valley Pkwy
Glenwillow, OH 44139

PPC ITEM NUMBER: 99076		SKU: 05-05-065-00010	
DRAWN BY:	CHECKED BY:	DATE: 3/20/2019	
DESCRIPTION: 32mm REL/CR HDPE Closure		COLOR: -	
PART MATERIAL:	VOLUME:	WEIGHT:	
DWG NO.:	DWG SIZE: A	SHEET NO: 1 of 1	REV: -

PROPRIETARY AND CONFIDENTIAL

THE INFORMATION CONTAINED IN THIS DRAWING IS THE SOLE PROPERTY OF PIPELINE PACKAGING. ANY REPRODUCTION IN PART OR AS A WHOLE WITHOUT THE WRITTEN PERMISSION OF PIPELINE PACKAGING IS PROHIBITED.

UNLESS OTHERWISE SPECIFIED:

UNITS OF MEASURE: Inches
 TOLERANCES: Specified in drawing