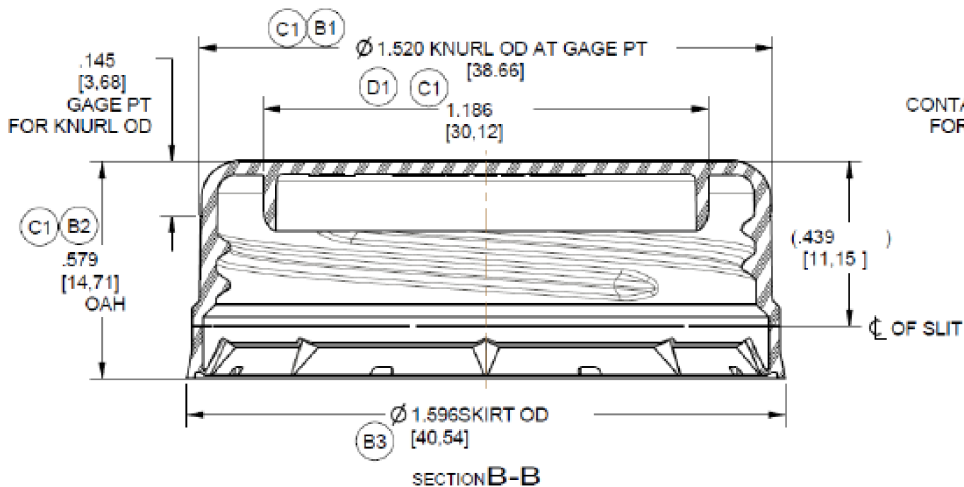
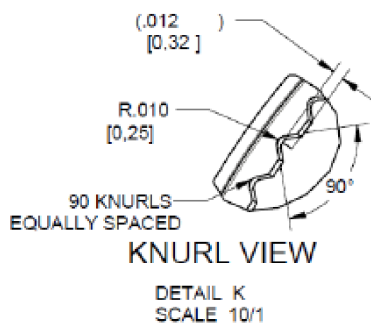
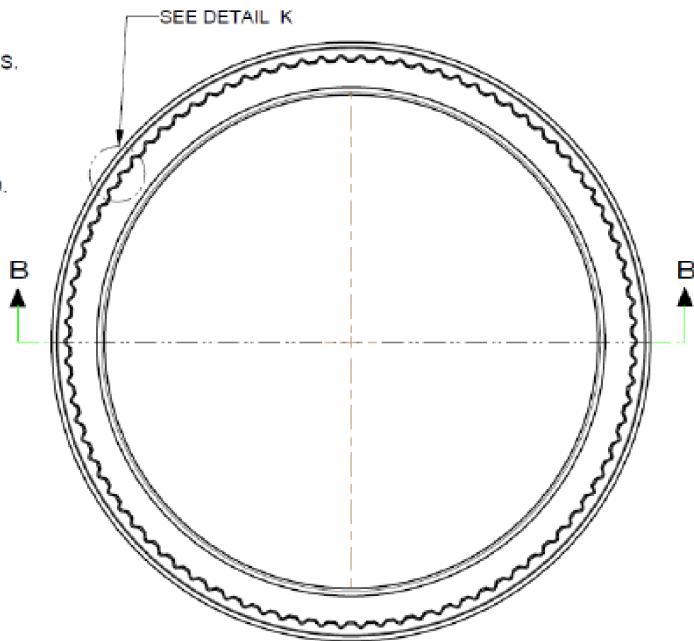


NOTES: UNLESS OTHERWISE SPECIFIED:

1. MATERIAL: HDPE PER PORTOLA PACKAGING, INC. (PPI) SPECIFICATIONS.
2. PRINTING OR LABELING: PER PPI SPECIFICATIONS.
3. COLOR: PER PPI SPECIFICATIONS
4. PART WEIGHT: CAP 2.6G AVG.
5. THREAD DATA: 3 LEADS AT 120 ° APART
180 ° FULL THREAD PER LEAD.
6. METRIC DIMENSIONS GIVEN IN [X.XX].
7. DO NOT SCALE DRAWING.



SCALE 1/1

UNCONTROLLED
DOCUMENT
11/29/11, SSK

CONTACT PORTOLA PACKAGING, INC.
FOR BOTTLE FINISH INFORMATION



CLOSURE APPLICATION
SECTION R-R
SCALE 5/1

Pipeline Packaging 30310 Emerald Valley Pkwy
Glenwillow, OH 44139

PPC ITEM NUMBER: 71695		SKU: 05-05-078-00005	
DRAWN BY: -	CHECKED BY: -	DATE: 2/15/2019	

DESCRIPTION: 38mm Tamper Evident HDPE Closure		COLOR: -	
PART MATERIAL: -	VOLUME: -	WEIGHT: -	
DWG NO.:	DWG SIZE: A	SHEET NO: 1 of 1	REV: -

PROPRIETARY AND CONFIDENTIAL
THE INFORMATION CONTAINED IN THIS DRAWING IS THE SOLE PROPERTY OF PIPELINE PACKAGING. ANY REPRODUCTION IN PART OR AS A WHOLE WITHOUT THE WRITTEN PERMISSION OF PIPELINE PACKAGING IS PROHIBITED.

UNLESS OTHERWISE SPECIFIED:
UNITS OF MEASURE: Inches
TOLERANCES: Specified in drawing