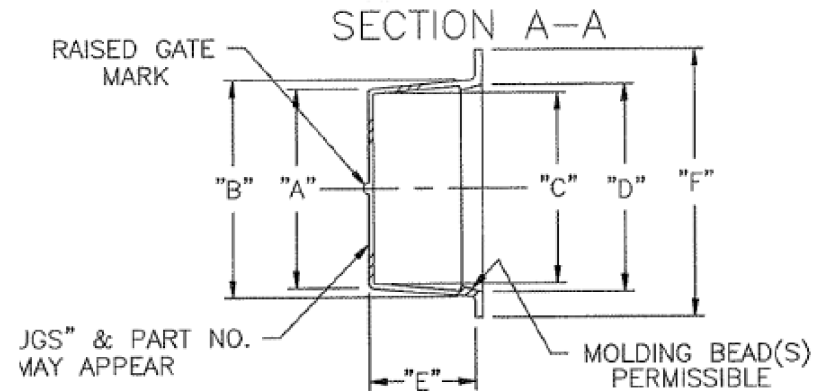
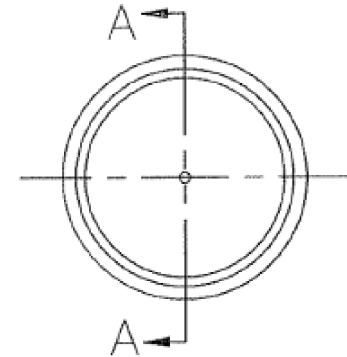


CAPPLUGS P/N	"A"	"B"	"C"	"D"	"E"	"F"
00	.116	.182	.053	.120	.38	.31
00-S	.140	.180	.088	.109	.22	.31
00-X	.145	.205	.079	.150	.38	.41
0	.173	.240	.111	.177	.38	.38
0	.173	.240	.111	.177	.38	.38
1	.236	.302	.174	.240	.38	.44
1-X	.267	.335	.205	.273	.38	.47
2	.299	.365	.235	.302	.38	.50
2-S	.325	.367	.263	.305	.19	.50
2-X	.330	.396	.267	.333	.38	.53
3	.361	.427	.298	.365	.38	.56
3S	.388	.420	.332	.360	.18	.56
3-X	.390	.456	.327	.394	.38	.59
4	.419	.485	.356	.422	.38	.63
4-X	.447	.513	.385	.451	.38	.66
5	.471	.547	.409	.485	.44	.69
5-S	.533	.562	.477	.506	.22	.68
5-X	.500	.576	.440	.516	.44	.72
6	.532	.608	.468	.545	.44	.75
6-S	.554	.612	.490	.551	.31	.75
6-X	.550	.631	.487	.568	.47	.75
7	.580	.667	.518	.605	.50	.81
7-X	.610	.695	.549	.634	.50	.84
8	.640	.727	.578	.664	.50	.88
8-S	.669	.694	.613	.638	.19	.75
8-X	.675	.755	.613	.693	.50	.88
9	.690	.788	.628	.726	.56	.94
9-S	.740	.765	.678	.703	.19	.88
9-X	.725	.823	.663	.761	.56	.97
10	.750	.848	.687	.785	.56	1.00
10s (AA)	.748	.848	.687	.775	.394	1.024
11	.802	.911 (AS)	.740	.849	.63	1.06
11-X	.815	.930	.753	.868	.63	1.09



pipeline Packaging 30310 Emerald Valley Pkwy
Glenwillow, OH 44139

PPC ITEM NUMBER: 74022 SKU: 05-06-061-00020
DRAWN BY: - CHECKED BY: - DATE: 2/19/2019

DESCRIPTION: 51mm Plug LDPE Closure COLOR: -
PART MATERIAL: - VOLUME: - WEIGHT: -
DWG NO.: - DWG SIZE: A SHEET NO: 1 of 1 REV: -

PROPRIETARY AND CONFIDENTIAL
THE INFORMATION CONTAINED IN THIS DRAWING IS THE SOLE PROPERTY OF PIPELINE PACKAGING. ANY REPRODUCTION IN PART OR AS A WHOLE WITHOUT THE WRITTEN PERMISSION OF PIPELINE PACKAGING IS PROHIBITED.

UNLESS OTHERWISE SPECIFIED:
UNITS OF MEASURE: Inches
TOLERANCES: Specified in drawing