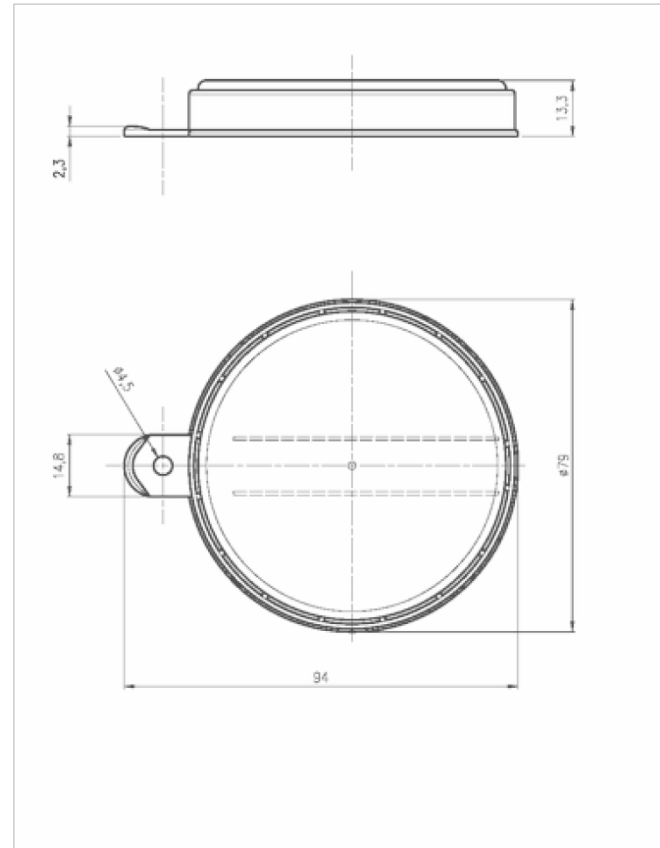


GENERAL INFORMATION

- Product group: Caps or Seals
- Type model: Suitable to fit on all metal Tab-Seal® cap compatible necks; Full Plastic; No tooling required
- Material: Polyethylene
- Size: G2 (50mm) Cap
- Surface print / Finish:
- Washer: No washer

PACKAGING INFORMATION

- Component weight (grams): 13
- Box quantity (pieces): 500
- Box weight (kg): 6
- Pallet quantity: 9000
- Pallet weight (kg): 154



Material: PE

Finish:

COMMENTS

- More information about application can be found on our website under "Library of brochures". Please contact your local Tri-Sure® Sales representative for packaging advice and testing for specific products.
- For the correct application of our products general information is available on our website www.Tri-Sure.com.

 **Pipeline Packaging** 30310 Emerald Valley Pkwy
Suite #500
Glenwillow, OH 44139

PPC Item Number:	SKU:
DRAWN BY: D. Grace	CHECKED BY: B. Ashinger
	DATE: 4/12/2018

DESCRIPTION:	COLOR:
PART MATERIAL:	VOLUME:
	WEIGHT:
DWG NO.: -	DWG SIZE: A
SHEET NO.: 1 of 1	REV: -

PROPRIETARY AND CONFIDENTIAL

THE INFORMATION CONTAINED IN THIS DRAWING IS THE SOLE PROPERTY OF PIPELINE PACKAGING. ANY REPRODUCTION IN PART OR AS A WHOLE WITHOUT THE WRITTEN PERMISSION OF PIPELINE PACKAGING IS PROHIBITED.

UNLESS OTHERWISE SPECIFIED:

UNITS OF MEASURE: Inches

TOLERANCES: Specified in drawing