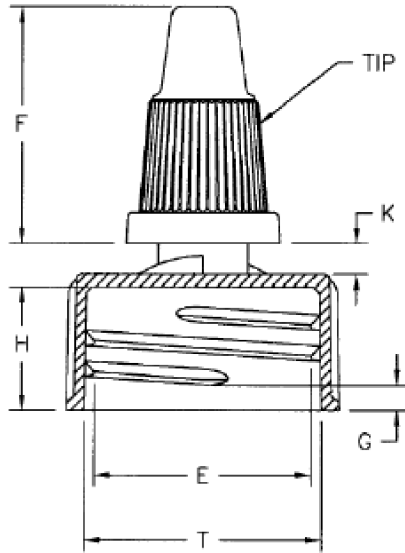
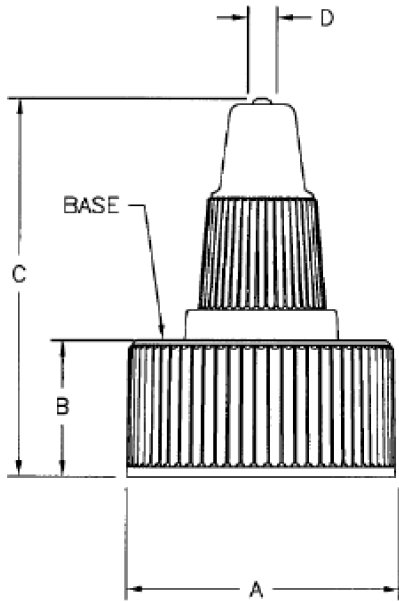


M (THRU HOLE ON TIP)



SECTIONED BASE FOR CLARITY

DIM	MIN	MAX
A	1.065	1.095
B	.545	.560
C	1.515	1.545
"E"	.865	.885
F	.945	.968
G	.095	.112
"H"	.490	.510
K	.120	.140
"T"	.940	.960

SIZE	DIM	MIN	MAX
.115	D	.116	.122
.115	M	.110	.116
.085	D	.087	.092
.085	M	.082	.087

NOTES:

1. MATERIAL: MDPE BASE / LDPE TIP
2. THREAD (MODIFIED BUTTRESS): BASE (2 TURNS-PITCH 8)



30310 Emerald Valley Pkwy
Glenwillow, OH 44139

PPC ITEM NUMBER: 72104 SKU: 05-09-026-00077

DRAWN BY: - CHECKED BY: - DATE: 2/18/2019

DESCRIPTION: 24-400 Dispensing PE Closure COLOR: -

PART MATERIAL: - VOLUME: - WEIGHT: -

DWG NO.: - DWG SIZE: A SHEET NO: 1 of 1 REV: -

PROPRIETARY AND CONFIDENTIAL

THE INFORMATION CONTAINED IN THIS DRAWING IS THE SOLE PROPERTY OF PIPELINE PACKAGING. ANY REPRODUCTION IN PART OR AS A WHOLE WITHOUT THE WRITTEN PERMISSION OF PIPELINE PACKAGING IS PROHIBITED.

UNLESS OTHERWISE SPECIFIED:

UNITS OF MEASURE: Inches

TOLERANCES: Specified in drawing