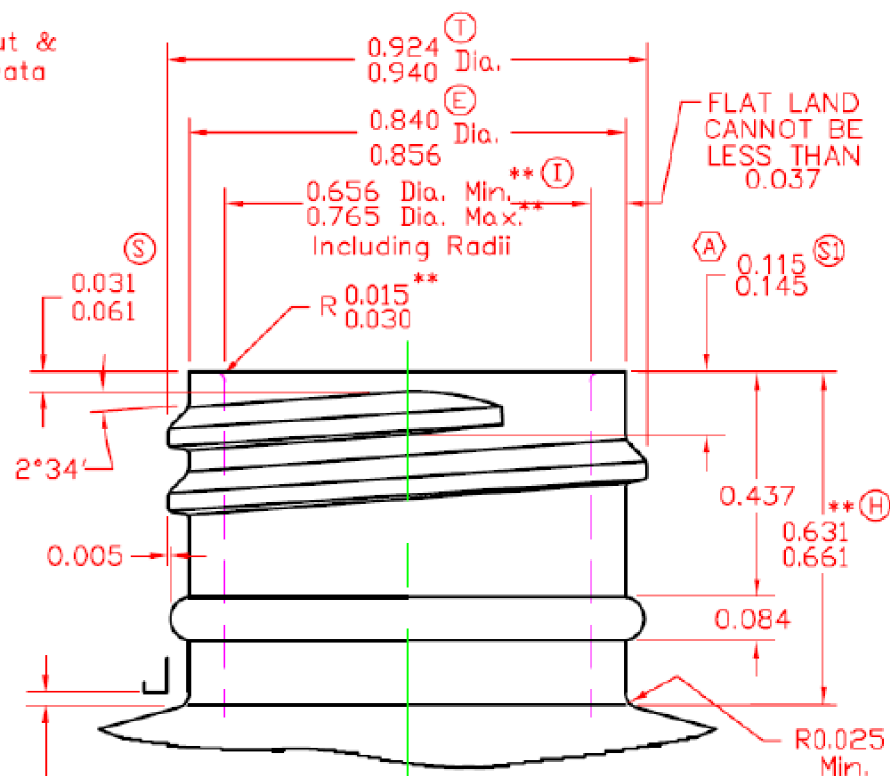


See Spout & Orifice Data Below



Per C.M.A. Standard  
 "T" = 0.955/0.941 Dia.  
 "E" = 0.871/0.857 Dia.  
 \*\*0.041-0.071 Skirt to Bottle Clearance Range Of Extreme Tolerances

† Seal Type No. 1: Valve Seal (The most efficient provided bottle has proper "I" dimension)  
 ‡ Seal Type No. 2: Land Seal ("I" dimension of bottle less critical than above)

Dimensions marked \* are an average of two measurements taken 90° apart.

GENERAL TOLERANCE NOT SHOWN OTHERWISE: ± .008

**BOTTLE NOTES:**

- 1) Thread: 8 Pitch, Per S.P.I. Standard.
- 2) Diameters must be concentric within .015" T.I.R.
- 3) All Dimensions are in inches unless otherwise indicated.



30310 Emerald Valley Pkwy  
 Glenwillow, OH 44139

PPC ITEM NUMBER: 71394		SKU: 05-09-072-00082	
DRAWN BY:	CHECKED BY:	DATE: 2/14/2019	
DESCRIPTION: 24-410 Spout PE Closure		COLOR: -	
PART MATERIAL:	VOLUME:	WEIGHT:	
DWG NO.:	DWG SIZE: A	SHEET NO: 1 of 1	REV: -

**PROPRIETARY AND CONFIDENTIAL**

THE INFORMATION CONTAINED IN THIS DRAWING IS THE SOLE PROPERTY OF PIPELINE PACKAGING. ANY REPRODUCTION IN PART OR AS A WHOLE WITHOUT THE WRITTEN PERMISSION OF PIPELINE PACKAGING IS PROHIBITED.

**UNLESS OTHERWISE SPECIFIED:**

UNITS OF MEASURE: Inches  
 TOLERANCES: Specified in drawing