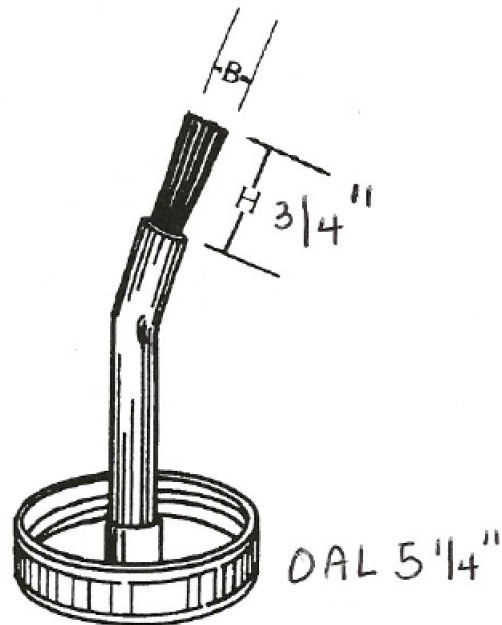


CAP: 48/400 Black Engraved Polypropylene
 STEM: 505 Polypropylene Fine Ribbed
 FILAMENT: Grey Horse Hanks
 STAPLE: Nylon Clear
 GLUE: Hot Melt Glue




 30310 Emerald Valley Pkwy
 Glenwillow, OH 44139

PPC ITEM NUMBER: 75059	SKU: 05-16-004-00099
DRAWN BY: -	CHECKED BY: -
DATE: 12/18/2018	

DESCRIPTION: 48-400 Applicator PP Closure		COLOR: -	
PART MATERIAL: -	VOLUME: -	WEIGHT: -	
DWG NO.: -	DWG SIZE: A	SHEET NO: 1 of 1	REV: -

PROPRIETARY AND CONFIDENTIAL

THE INFORMATION CONTAINED IN THIS DRAWING IS THE SOLE
 PROPERTY OF PIPELINE PACKAGING. ANY REPRODUCTION IN
 PART OR AS A WHOLE WITHOUT THE WRITTEN PERMISSION OF
 PIPELINE PACKAGING IS PROHIBITED.

UNLESS OTHERWISE SPECIFIED:

UNITS OF MEASURE: Inches
 TOLERANCES: Specified in drawing