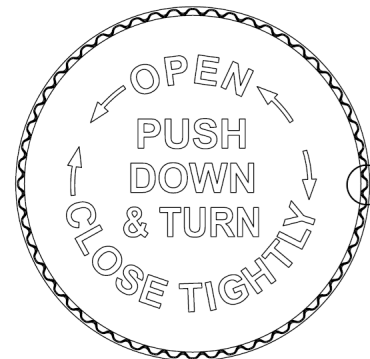


SECTION A-A
SCALE 1:1
SCALE 2:1



SCALE 2:1

DETAIL RIB
SCALE 10:1
(56) EQUISPACED RIBS

8 THREADS PER INCH, .125 PITCH,
360° FULL DEPTH THREAD

| REFERENCE | TOLERANCE | DIMENSION | UNITS |
|-------------|---------------|---------------|---------|
| E | ±0.010 [0.25] | 0.865 [21.97] | in [mm] |
| T | ±0.010 [0.25] | 0.950 [24.13] | in [mm] |
| H (Seated) | REFERENCE | 0.517 [13.13] | in [mm] |
| H (Inner) | ±0.007 [0.18] | 0.388 [9.86] | in [mm] |
| OAH | ±0.015 [0.38] | 0.668 [16.97] | in [mm] |
| OD | ±0.015 [0.38] | 1.217 [30.91] | in [mm] |
| PART WEIGHT | ± 0.60 | 4.10 | g |



30310 Emerald Valley Pkwy
Suite #500
Glenwillow, OH 44139

PPC Item Number:

SKU:

DRAWN BY:
D. Grace

CHECKED BY:
B. Ashinger

DATE:
4/12/2018

DESCRIPTION:

COLOR:

PART MATERIAL:

VOLUME:

WEIGHT:

DWG NO.:

-

DWG SIZE:

A

SHEET NO.:

1 of 2

REV:

-

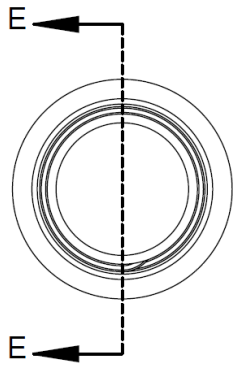
PROPRIETARY AND CONFIDENTIAL

THE INFORMATION CONTAINED IN THIS DRAWING IS THE SOLE PROPERTY OF PIPELINE PACKAGING. ANY REPRODUCTION IN PART OR AS A WHOLE WITHOUT THE WRITTEN PERMISSION OF PIPELINE PACKAGING IS PROHIBITED.

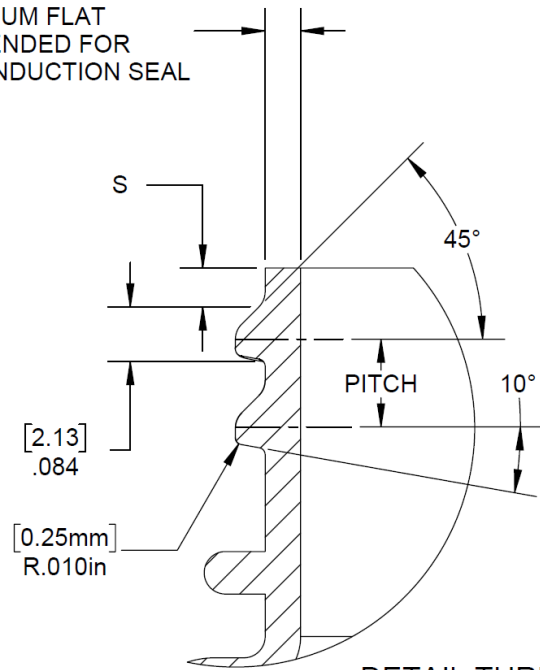
UNLESS OTHERWISE SPECIFIED:

UNITS OF MEASURE: Inches

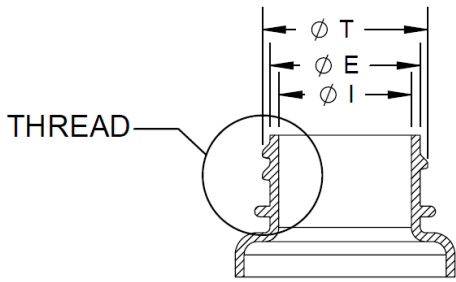
TOLERANCES: Specified in drawing



[1.27mm]
 .050 MINIMUM FLAT
 RECOMMENDED FOR
 PROPER INDUCTION SEAL



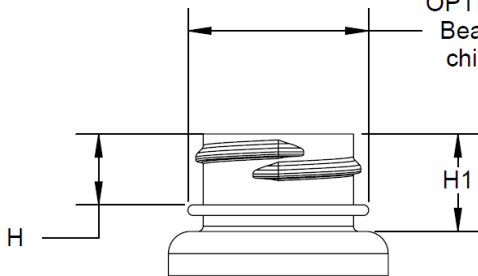
DETAIL THREAD
 SCALE 4 : 1



SECTION E-E

| REFERENCE | TOLERANCE | UNITS | DIMENSION |
|-----------|---------------|---------|---------------|
| E | ±0.008 [0.20] | in [mm] | 0.848 [21.54] |
| T | ±0.008 [0.20] | in [mm] | 0.932 [23.67] |
| I | MINIMUM | in [mm] | 0.516 [13.11] |
| S | ±0.015 [0.38] | in [mm] | 0.046 [1.17] |
| H | MINIMUM | in [mm] | 0.400 [10.16] |
| H1 | MINIMUM | in [mm] | 0.550 [13.97] |
| ØBEAD | MAXIMUM | in [mm] | 1.020 [25.91] |
| TPI | | in | 8 |
| PITCH | | in [mm] | 0.125 [3.16] |

Ø B
 OPTIONAL construction:
 Bead NOT required for
 child resistant closure
 function



Pipeline Packaging 30310 Emerald Valley Pkwy
 Suite #500
 Glenwillow, OH 44139

PPC Item Number: _____ SKU: _____
 DRAWN BY: D. Grace CHECKED BY: B. Ashinger DATE: 4/12/2018

DESCRIPTION: _____ COLOR: _____
 PART MATERIAL: _____ VOLUME: _____ WEIGHT: _____
 DWG NO.: - DWG SIZE: A SHEET NO: 2 of 2 REV: -

PROPRIETARY AND CONFIDENTIAL
 THE INFORMATION CONTAINED IN THIS DRAWING IS THE SOLE
 PROPERTY OF PIPELINE PACKAGING. ANY REPRODUCTION IN
 PART OR AS A WHOLE WITHOUT THE WRITTEN PERMISSION OF
 PIPELINE PACKAGING IS PROHIBITED.

UNLESS OTHERWISE SPECIFIED:
 UNITS OF MEASURE: Inches
 TOLERANCES: Specified in drawing