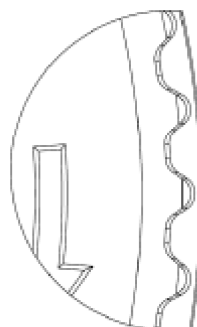


SECTION A-A

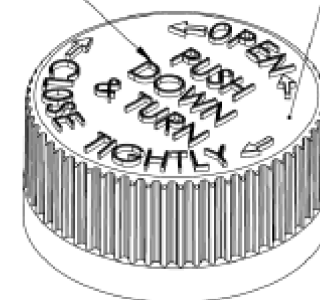


DETAIL RIBS
SCALE 8 : 1

(58) EQUISPACED RIBS

MATTE FINISH TOP AND SIDES

RAISED LOGO



6 THREADS PER INCH, .167 PITCH, 380° FULL DEPTH THREAD			
REFERENCE	TOLERANCE	DIMENSION	UNITS
E	±0.012 [0.31]	1.006 [25.60]	in [mm]
T	±0.012 [0.31]	1.100 [27.90]	in [mm]
H [Sealed]	REFERENCE	0.514 [13.06]	in [mm]
H [Inner]	±0.012 [0.31]	0.395 [10.00]	in [mm]
OD	±0.017 [0.43]	1.375 [34.93]	in [mm]
OAH	±0.017 [0.43]	0.677 [17.20]	in [mm]
PART WEIGHT	± 0.80	4.90	g



Pipeline Packaging

30310 Emerald Valley Pkwy
Glenwillow, OH 44139

PPC ITEM NUMBER:		SKU:	
DRAWN BY:	CHECKED BY:	DATE: 2/19/2019	
DESCRIPTION:		COLOR:	
PART MATERIAL:	VOLUME:	WEIGHT:	
DWG NO.:	DWG SIZE: A	SHEET NO: 1 of 2	REV: -

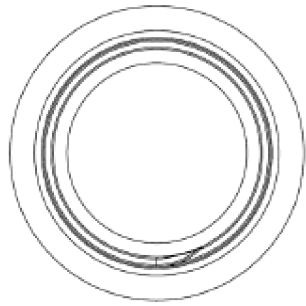
PROPRIETARY AND CONFIDENTIAL

THE INFORMATION CONTAINED IN THIS DRAWING IS THE SOLE PROPERTY OF PIPELINE PACKAGING. ANY REPRODUCTION IN PART OR AS A WHOLE WITHOUT THE WRITTEN PERMISSION OF PIPELINE PACKAGING IS PROHIBITED.

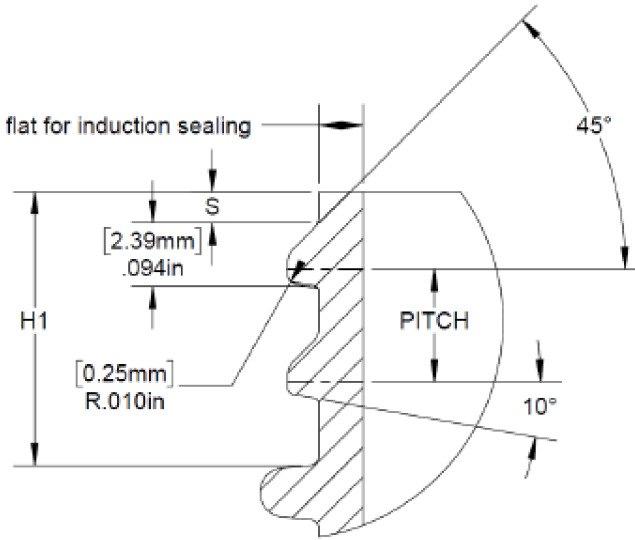
UNLESS OTHERWISE SPECIFIED:

UNITS OF MEASURE: Inches

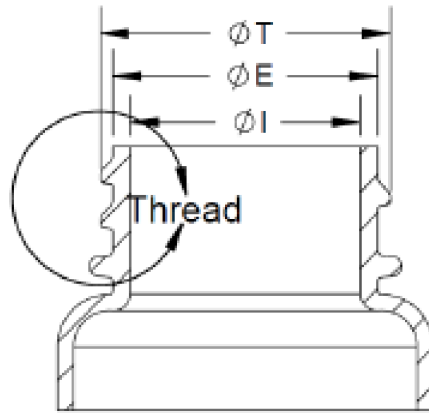
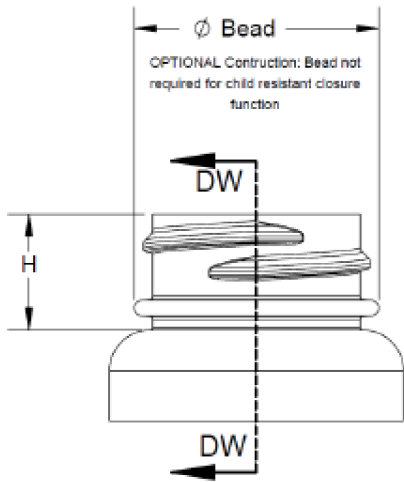
TOLERANCES: Specified in drawing



.050" MINIMUM flat for induction sealing



DETAIL Thread
SCALE 4 : 1



SECTION DW-DW
SCALE 5 : 4

REFERENCE	TOLERANCE	UNITS	DIMENSION
E	± 0.010 [0.25]	in [mm]	0.984 [24.99]
T	± 0.010 [0.25]	in [mm]	1.078 [27.38]
I	MINIMUM	in [mm]	0.614 [15.60]
S	±0.015 [0.38]	in [mm]	0.046 [1.17]
H1	MINIMUM	in [mm]	0.550 [13.97]
H	MINIMUM	in [mm]	0.411 [10.44]
BEAD	MAXIMUM	in [mm]	1.130 [29.46]
TPI			6
PITCH		in [mm]	0.167 [4.24]



Pipeline Packaging

30310 Emerald Valley Pkwy
Glenwillow, OH 44139

PPC ITEM NUMBER: 75122 SKU: 05-16-016-00187

DRAWN BY: - CHECKED BY: - DATE: 2/19/2019

DESCRIPTION: 28-400 Child Resistant PP Closure COLOR: -

PART MATERIAL: - VOLUME: - WEIGHT: -

DWG NO.: - DWG SIZE: A SHEET NO: 2 of 2 REV: -

PROPRIETARY AND CONFIDENTIAL

THE INFORMATION CONTAINED IN THIS DRAWING IS THE SOLE PROPERTY OF PIPELINE PACKAGING. ANY REPRODUCTION IN PART OR AS A WHOLE WITHOUT THE WRITTEN PERMISSION OF PIPELINE PACKAGING IS PROHIBITED.

UNLESS OTHERWISE SPECIFIED:

UNITS OF MEASURE: Inches

TOLERANCES: Specified in drawing