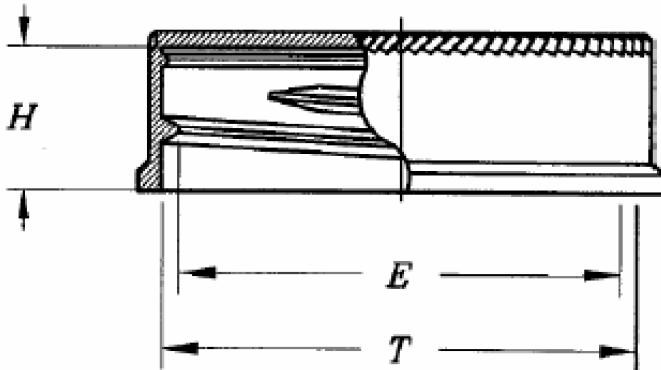
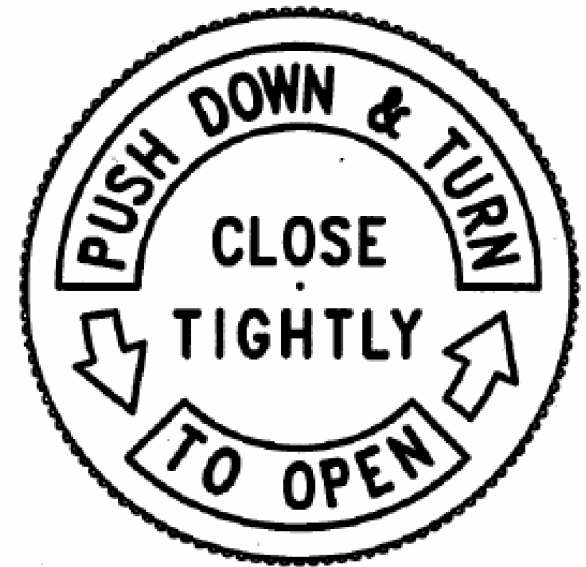


OVERCAP


NOTE: (H) Size without liner.



INNERCAP



SIZE	A	B	C	H	E	T	THD'S PER INCH
24 MM	1.170±.015	1.203±.015	.675±.015	.410±.015	.878±.007	.942±.007	8
28 MM	1.355±.015	1.378±.015	.675±.015	.420±.015	1.008±.007	1.086±.007	6
33 MM	1.532±.015	1.558±.015	.675±.015	.420±.015	1.194±.007	1.269±.007	6
38 MM	1.735±.015	1.770±.015	.675±.015	.415±.015	1.396±.007	1.476±.007	6
45 MM	2.010±.015	2.040±.015	.715±.015	.430±.015	1.657±.007	1.742±.007	6
53 MM	2.373±.015	2.395±.015	.750±.015	.430±.015	1.989±.007	2.071±.007	6

		30310 Emerald Valley Pkwy Glenwillow, OH 44139	
PPC ITEM NUMBER: 71972		SKU: 05-16-016-00196	
DRAWN BY:	CHECKED BY:	DATE: 2/15/2019	
DESCRIPTION: 33-400 Child Resistant PP Closure			COLOR:
PART MATERIAL:	VOLUME:	WEIGHT:	
DWG NO.:	DWG SIZE: A	SHEET NO: 1 of 1	REV:

PROPRIETARY AND CONFIDENTIAL

THE INFORMATION CONTAINED IN THIS DRAWING IS THE SOLE PROPERTY OF PIPELINE PACKAGING. ANY REPRODUCTION IN PART OR AS A WHOLE WITHOUT THE WRITTEN PERMISSION OF PIPELINE PACKAGING IS PROHIBITED.

UNLESS OTHERWISE SPECIFIED:

UNITS OF MEASURE: Inches

TOLERANCES: Specified in drawing