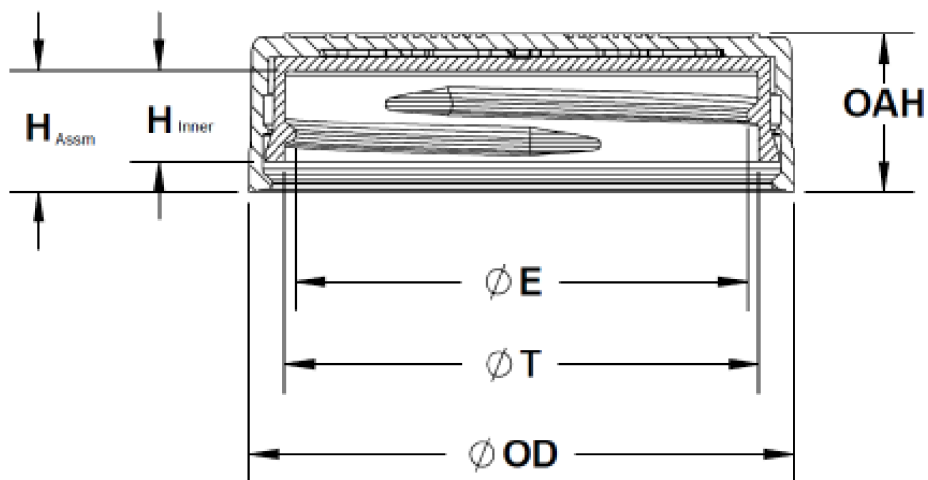


6 THREADS PER INCH, .167 PITCH,
380° FULL DEPTH THREAD



SECTION X-X
SCALE 1 : 1

	TOLERANCE	UNITS	
E	±0.008 [0.20]	in [mm]	1.986 [50.44]
T	±0.008 [0.20]	in [mm]	2.081 [52.86]
H_(Assm)	MINIMUM	in [mm]	0.472 [12.00]
H_(Inner)	±0.008 [0.20]	in [mm]	0.398 [10.11]
OD	±0.010 [0.25]	in [mm]	2.388 [60.66]
OAH	±0.012 [0.30]	in [mm]	0.690 [17.53]
Part Weight	±1.4	g	12.8



Pipeline Packaging

30310 Emerald Valley Pkwy
Glenwillow, OH 44139

PPC ITEM NUMBER: 71366 SKU: 05-16-016-00203

DRAWN BY: - CHECKED BY: - DATE: 2/14/2019

DESCRIPTION: 53-400 Child Resistant PP Closure COLOR: -

PART MATERIAL: - VOLUME: - WEIGHT: -

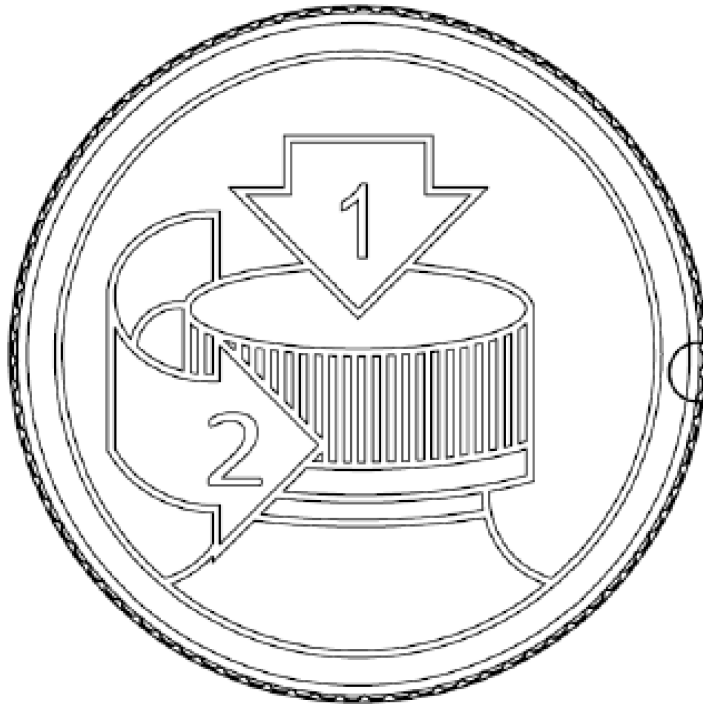
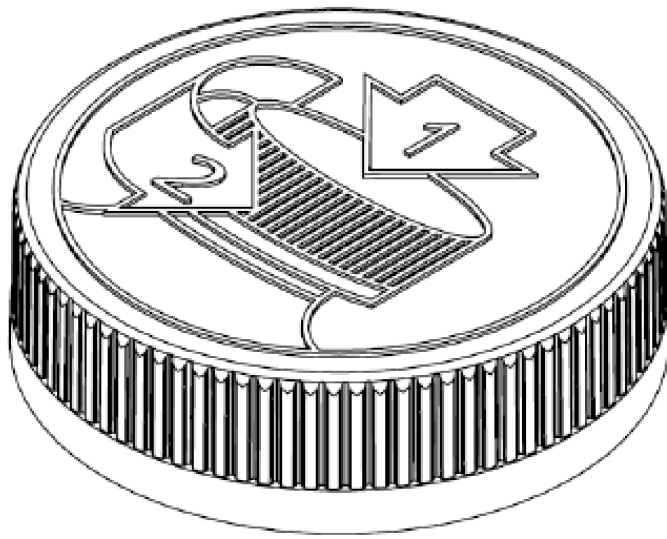
DWG NO.: - DWG SIZE: A SHEET NO: 1 of 3 REV: -

PROPRIETARY AND CONFIDENTIAL

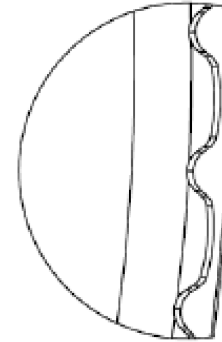
THE INFORMATION CONTAINED IN THIS DRAWING IS THE SOLE PROPERTY OF PIPELINE PACKAGING. ANY REPRODUCTION IN PART OR AS A WHOLE WITHOUT THE WRITTEN PERMISSION OF PIPELINE PACKAGING IS PROHIBITED.

UNLESS OTHERWISE SPECIFIED:

UNITS OF MEASURE: Inches
TOLERANCES: Specified in drawing



RIB



DETAIL RIB
SCALE 6 : 1
(88) EQUISPACED RIBS



Pipeline Packaging

30310 Emerald Valley Pkwy
Glenwillow, OH 44139

PPC ITEM NUMBER: 71366		SKU: 05-16-016-00203	
DRAWN BY: -	CHECKED BY: -	DATE: 2/14/2019	
DESCRIPTION: 53-400 Child Resistant PP Closure			COLOR: -
PART MATERIAL: -	VOLUME: -	WEIGHT: -	
DWG NO.: -	DWG SIZE: A	SHEET NO: 2 of 3	REV: -

PROPRIETARY AND CONFIDENTIAL

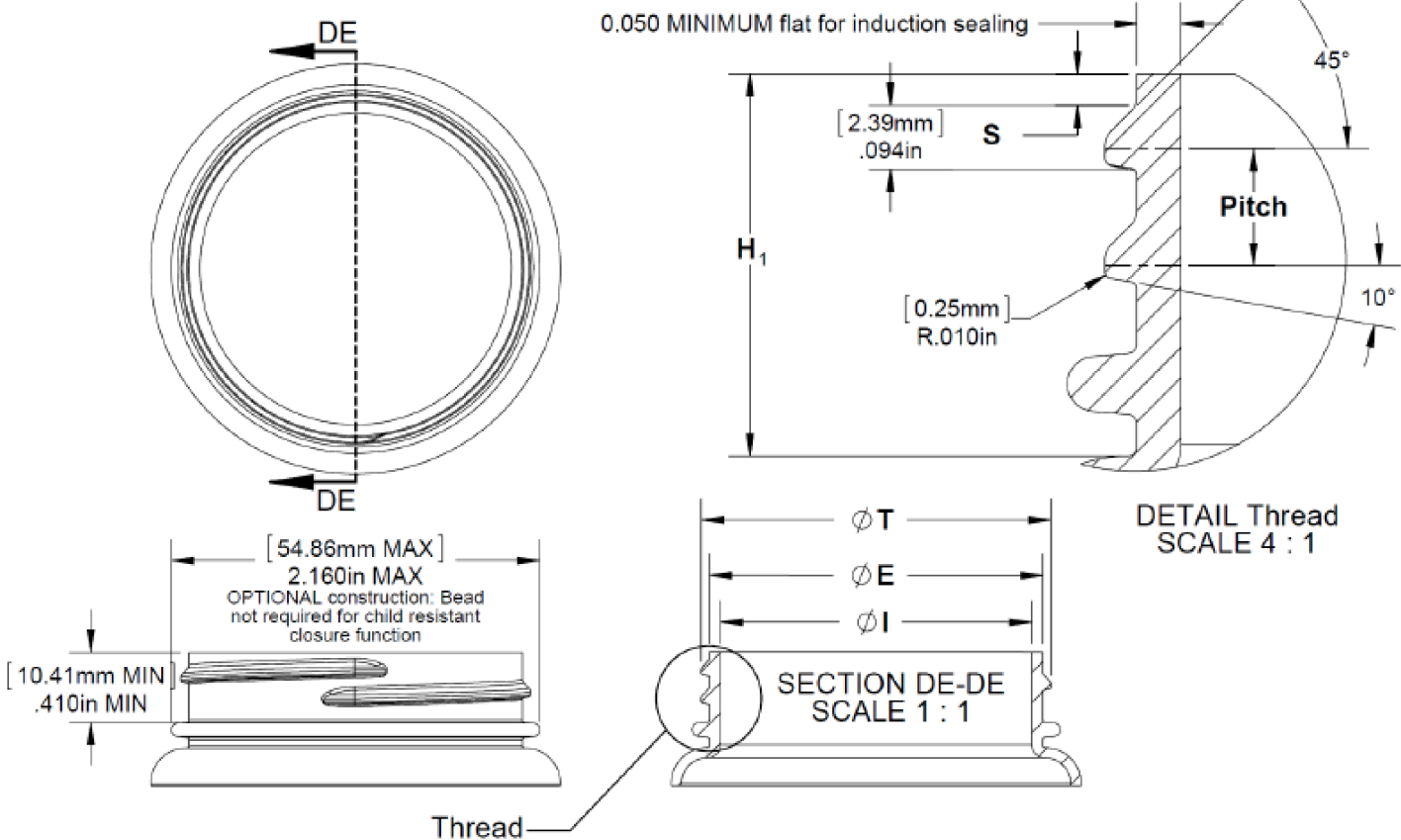
THE INFORMATION CONTAINED IN THIS DRAWING IS THE SOLE PROPERTY OF PIPELINE PACKAGING. ANY REPRODUCTION IN PART OR AS A WHOLE WITHOUT THE WRITTEN PERMISSION OF PIPELINE PACKAGING IS PROHIBITED.

UNLESS OTHERWISE SPECIFIED:

UNITS OF MEASURE: Inches

TOLERANCES: Specified in drawing

Recommended Neck Finish



	TOLERANCE	UNITS	
E	±0.017 [0.43]	in [mm]	1.956 [49.68]
T	±0.017 [0.43]	in [mm]	2.050 [52.07]
I	Minimum	in [mm]	1.578 [51.64]
S	±0.015 [0.38]	in [mm]	0.046 [1.17]
H₁	±0.015 [0.38]	in [mm]	0.560 [14.22]
TPI			6
PITCH		in [mm]	0.167 [4.24]

Pipeline Packaging 30310 Emerald Valley Pkwy
Glenwillow, OH 44139

PPC ITEM NUMBER: 71366 SKU: 05-16-016-00203

DRAWN BY: - CHECKED BY: - DATE: 2/14/2019

DESCRIPTION: 53-400 Child Resistant PP Closure COLOR: -

PART MATERIAL: - VOLUME: - WEIGHT: -

DWG NO.: - DWG SIZE: A SHEET NO: 3 of 3 REV: -

PROPRIETARY AND CONFIDENTIAL
THE INFORMATION CONTAINED IN THIS DRAWING IS THE SOLE PROPERTY OF PIPELINE PACKAGING. ANY REPRODUCTION IN PART OR AS A WHOLE WITHOUT THE WRITTEN PERMISSION OF PIPELINE PACKAGING IS PROHIBITED.

UNLESS OTHERWISE SPECIFIED:
UNITS OF MEASURE: Inches
TOLERANCES: Specified in drawing