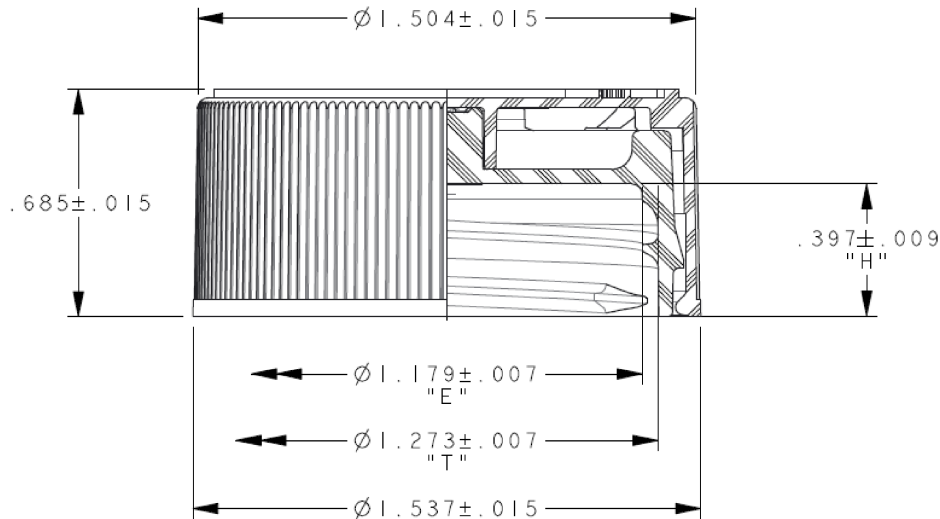


KNURLS  
(.008 DEEP)



NOTES:

1. .040 LINER SHOWN
2. DIAMETERS TO BE TAKEN AS AVERAGE
3. THREAD PROFILE: MODIFIED BUTTRESS
4. REFERENCE QIM-500-A105 FOR NECK FINISH REQUIREMENTS
5. RECOMMENDED 48 HOUR-REMOVAL TORQUE: 7-10 IN. LBS
6. MAT'L: PP



**Pipeline Packaging**

30310 Emerald Valley Pkwy  
Glenwillow, OH 44139

PPC ITEM NUMBER: 72223		SKU: 05-16-016-00208	
DRAWN BY: -	CHECKED BY: -	DATE: 12/18/2018	
DESCRIPTION: 33-400 Child Resistant PP Closure		COLOR: -	
PART MATERIAL: -	VOLUME: -	WEIGHT: -	
DWG NO.: -	DWG SIZE: A	SHEET NO: 1 of 1	REV: -

**PROPRIETARY AND CONFIDENTIAL**

THE INFORMATION CONTAINED IN THIS DRAWING IS THE SOLE PROPERTY OF PIPELINE PACKAGING. ANY REPRODUCTION IN PART OR AS A WHOLE WITHOUT THE WRITTEN PERMISSION OF PIPELINE PACKAGING IS PROHIBITED.

**UNLESS OTHERWISE SPECIFIED:**

UNITS OF MEASURE: Inches

TOLERANCES: Specified in drawing