

NOTES:

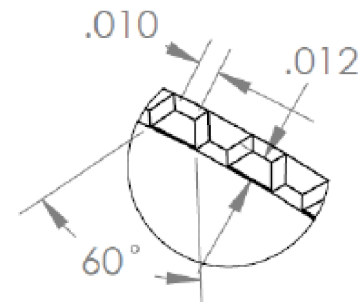
8 THREADS/INCH

DEVIATIONS FROM REFERENCE DIMENSIONS WHICH WILL NOT AFFECT FUNCTION ARE ACCEPTABLE.

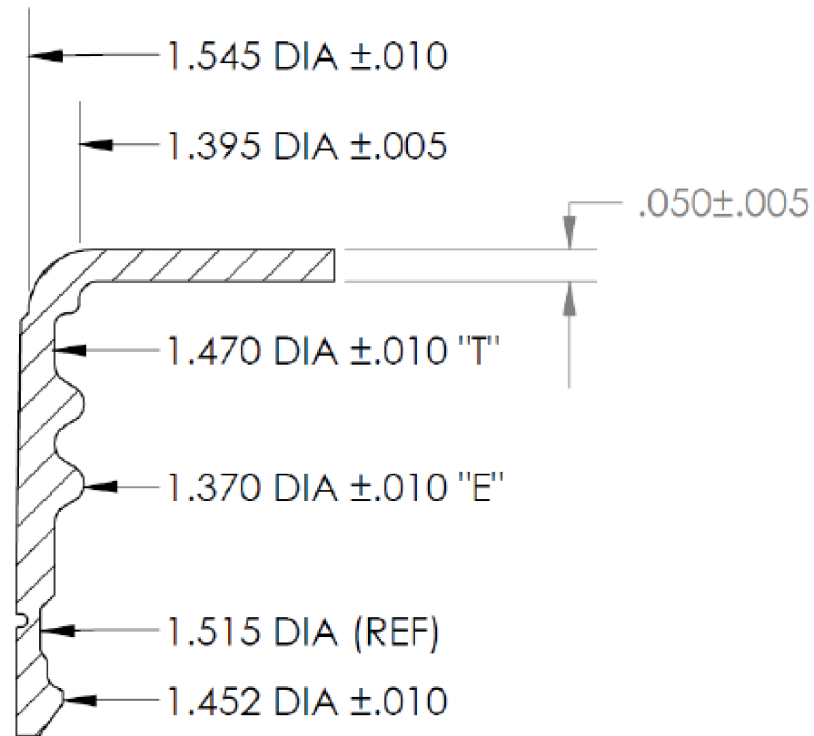
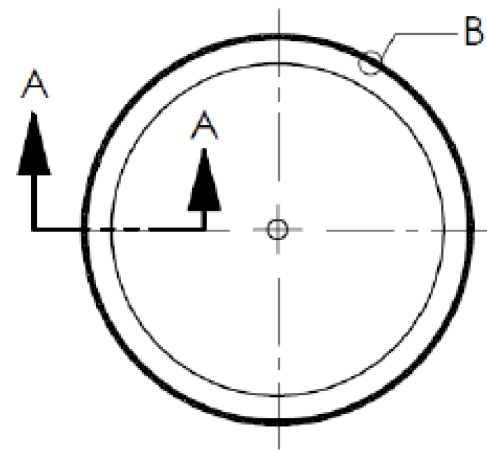
HEIGHT DIMENSIONS SUBJECT TO VARIATION DUE TO "CRUSHING" DURING PART EJECTION.

ADD .010" FOR TOP EMBOSS.

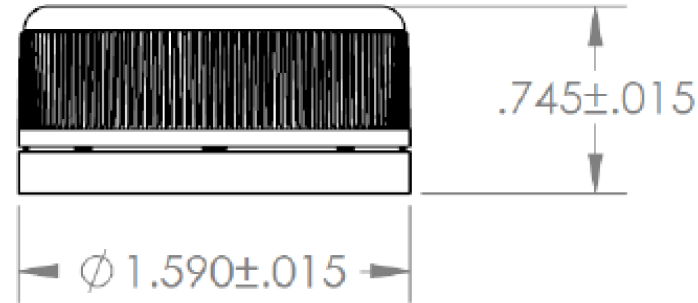
THE DROP-LOK® CLOSURE IS NOT A VENTED CLOSURE AND SHOULD NOT BE USED ON APPLICATIONS THAT PRODUCE INTERNAL PRESSURE IN THE BOTTLE DUE TO CARBONATION, FERMENTATION, ETC.



120 KNURLS  
DETAIL B  
SCALE 10 : 1



SECTION A-A  
SCALE 3 : 1



**pipeline Packaging** 30310 Emerald Valley Pkwy  
Glenwillow, OH 44139

PPC ITEM NUMBER: 71702 SKU: 05-16-016-00215  
DRAWN BY: - CHECKED BY: - DATE: 2/15/2019

DESCRIPTION: 38mm Child Resistant PP Closure COLOR: -  
PART MATERIAL: - VOLUME: - WEIGHT: -  
DWG NO.: - DWG SIZE: A SHEET NO: 1 of 1 REV: -

**PROPRIETARY AND CONFIDENTIAL**  
THE INFORMATION CONTAINED IN THIS DRAWING IS THE SOLE PROPERTY OF PIPELINE PACKAGING. ANY REPRODUCTION IN PART OR AS A WHOLE WITHOUT THE WRITTEN PERMISSION OF PIPELINE PACKAGING IS PROHIBITED.

**UNLESS OTHERWISE SPECIFIED:**  
UNITS OF MEASURE: Inches  
TOLERANCES: Specified in drawing