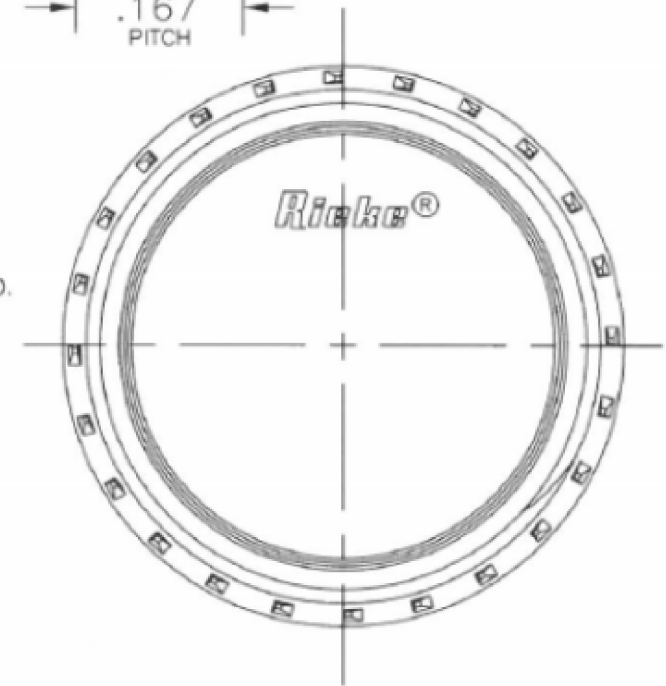
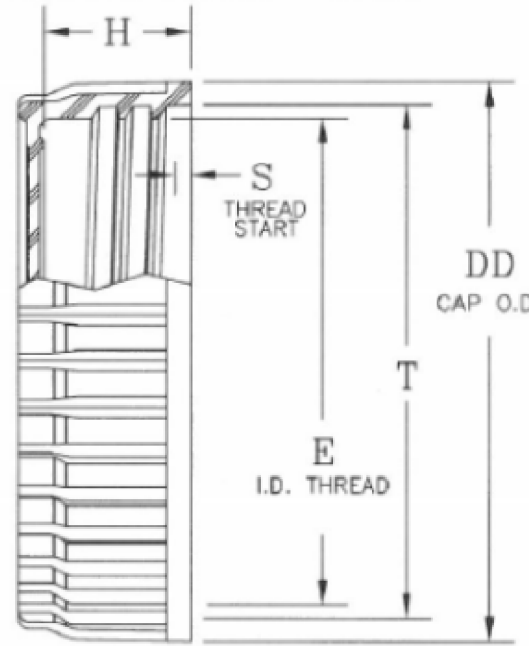
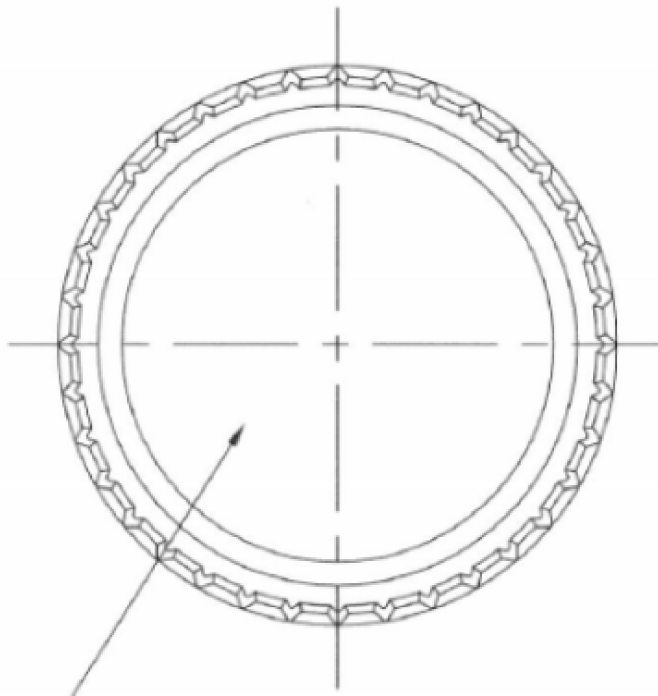
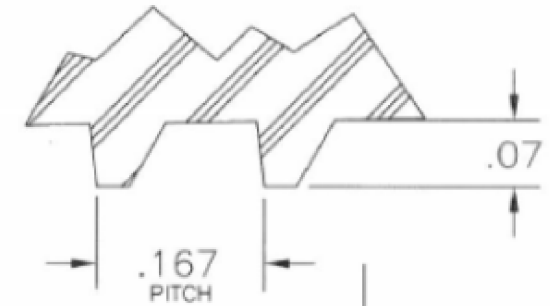


NOTE: THE CAP IS SHOWN WITHOUT A LINER

LINER #	LINER DESCRIPTION
502	F217 FOAM
565	1 MIL HEAT SEAL
655	PS113 PRESSURE SENSITIVE W/FOAM BACKING



OPTION: PRINTING OR EMBOSSING TO CUSTOMER REQUIREMENTS

ITEM	DD	E	H	S	T
SPEC.	$\phi 2.757 \pm .012$	$\phi 2.389 \pm .011$	$.725 \pm .008$	$.070 \pm .015$	$\phi 2.541 \pm .013$

NOTE:
THE MATERIALS USED MEETS FDA
REQUIREMENTS DEPENDING ON COLOR

Pipeline Packaging 30310 Emerald Valley Pkwy
 Glenwillow, OH 44139

PPC ITEM NUMBER: 99718	SKU: 05-16-019-00133
DRAWN BY:	CHECKED BY:
	DATE: 3/20/2019

DESCRIPTION: 63mm Cont. Thread PP Closure	COLOR: -
PART MATERIAL:	VOLUME:
DWG NO.:	WEIGHT:
DWG SIZE: A	SHEET NO: 1 of 1
	REV: -

PROPRIETARY AND CONFIDENTIAL

THE INFORMATION CONTAINED IN THIS DRAWING IS THE SOLE PROPERTY OF PIPELINE PACKAGING. ANY REPRODUCTION IN PART OR AS A WHOLE WITHOUT THE WRITTEN PERMISSION OF PIPELINE PACKAGING IS PROHIBITED.

UNLESS OTHERWISE SPECIFIED:

UNITS OF MEASURE: Inches

TOLERANCES: Specified in drawing