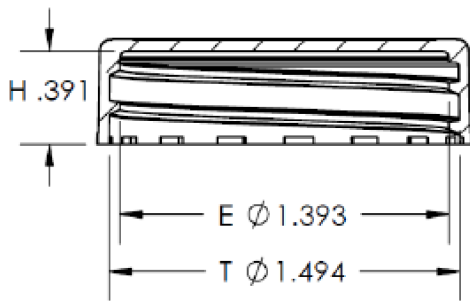


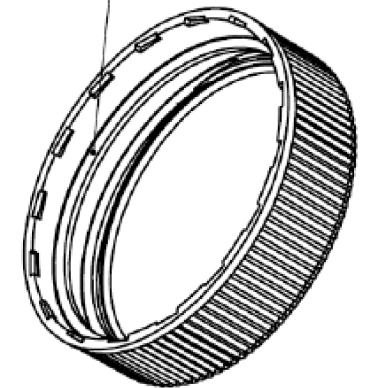
SECTION B-B



6 THREADS PER INCH  
 .167 LEAD 1 1/2 TURNS



SECTION A-A



**pipeline Packaging** 30310 Emerald Valley Pkwy  
 Glenwillow, OH 44139

PPC ITEM NUMBER: 72811	SKU: 05-16-019-00154
DRAWN BY: -	CHECKED BY: - DATE: 2/18/2019

DESCRIPTION: 38-400 Cont. Thread PP Closure		COLOR: -	
PART MATERIAL: -	VOLUME: -	WEIGHT: -	
DWG NO.: -	DWG SIZE: A	SHEET NO: 1 of 1	REV: -

**PROPRIETARY AND CONFIDENTIAL**

THE INFORMATION CONTAINED IN THIS DRAWING IS THE SOLE PROPERTY OF PIPELINE PACKAGING. ANY REPRODUCTION IN PART OR AS A WHOLE WITHOUT THE WRITTEN PERMISSION OF PIPELINE PACKAGING IS PROHIBITED.

**UNLESS OTHERWISE SPECIFIED:**

UNITS OF MEASURE: Inches  
 TOLERANCES: Specified in drawing