

SECTION A-A
SCALE 1 : 1

	TOLERANCE	UNITS	
T	±0.010 [0.25]	in [mm]	3.525 [89.54]
E	±0.010 [0.25]	in [mm]	3.410 [86.61]
H	±0.010 [0.20]	in [mm]	0.505 [12.83]
OAH	±0.010 [0.25]	in [mm]	0.576 [14.63]
BOTTOM OD	±0.010 [0.25]	in [mm]	3.637 [92.38]
PART WEIGHT	±1.0	g	14.85



Pipeline Packaging

30310 Emerald Valley Pkwy
Glenwillow, OH 44139

PPC ITEM NUMBER: 71437		SKU: 05-16-019-00163	
DRAWN BY: -	CHECKED BY: -	DATE: 2/14/2019	
DESCRIPTION: 89-400 Cont. Thread PP Closure		COLOR: -	
PART MATERIAL: -	VOLUME: -	WEIGHT: -	
DWG NO.: -	DWG SIZE: A	SHEET NO: 1 of 2	REV: -

PROPRIETARY AND CONFIDENTIAL

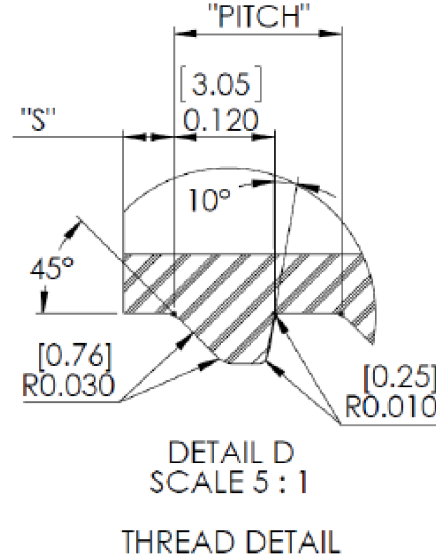
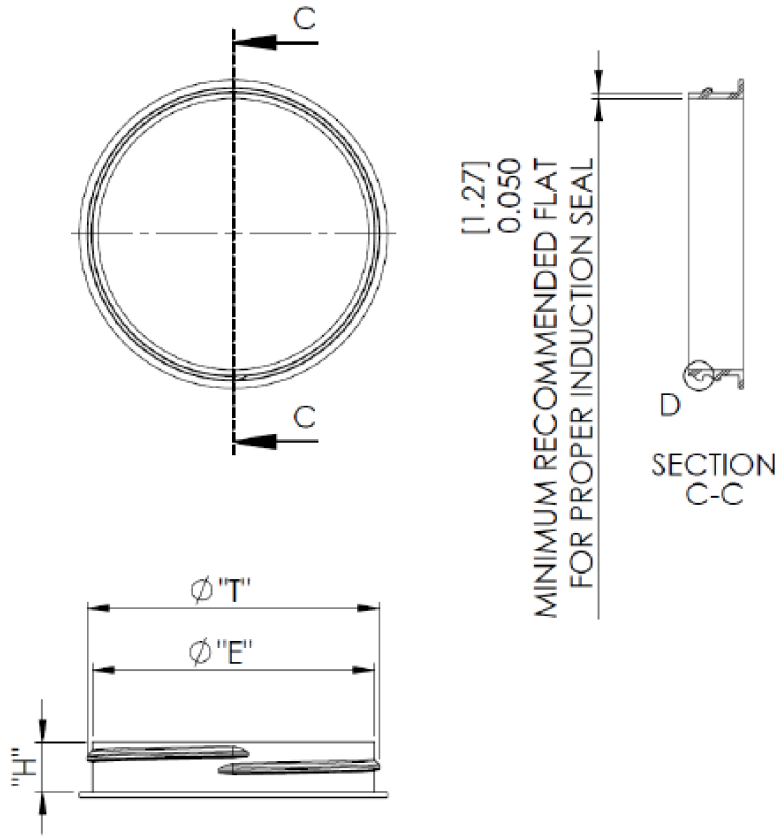
THE INFORMATION CONTAINED IN THIS DRAWING IS THE SOLE PROPERTY OF PIPELINE PACKAGING. ANY REPRODUCTION IN PART OR AS A WHOLE WITHOUT THE WRITTEN PERMISSION OF PIPELINE PACKAGING IS PROHIBITED.

UNLESS OTHERWISE SPECIFIED:

UNITS OF MEASURE: Inches

TOLERANCES: Specified in drawing

Recommended Neck Finish



	TOLERANCE	UNITS	
E	±0.017 [0.43]	in [mm]	3.374 [85.70]
T	±0.017 [0.43]	in [mm]	3.494 [88.75]
H	±0.017 [0.38]	in [mm]	0.597 [15.16]
S	±0.015 [0.38]	in [mm]	0.060 [1.52]
THREADS PER INCH		in	5
PITCH		in [mm]	0.200 [5.08]

Pipeline Packaging 30310 Emerald Valley Pkwy
Glenwillow, OH 44139

PPC ITEM NUMBER: 71437 SKU: 05-16-019-00163
DRAWN BY: - CHECKED BY: - DATE: 2/14/2019

DESCRIPTION: 89-400 Cont. Thread PP Closure COLOR: -
PART MATERIAL: - VOLUME: - WEIGHT: -
DWG NO.: - DWG SIZE: A SHEET NO: 2 of 2 REV: -

PROPRIETARY AND CONFIDENTIAL
THE INFORMATION CONTAINED IN THIS DRAWING IS THE SOLE PROPERTY OF PIPELINE PACKAGING. ANY REPRODUCTION IN PART OR AS A WHOLE WITHOUT THE WRITTEN PERMISSION OF PIPELINE PACKAGING IS PROHIBITED.

UNLESS OTHERWISE SPECIFIED:
UNITS OF MEASURE: Inches
TOLERANCES: Specified in drawing