

SECTION A-A
SCALE 2 : 3

THREAD DETAIL
5 THREADS PER INCH
0.200" [5.06 PITCH]

REFERENCE	TOLERANCE	DIMENSION	UNITS
E	± 0.014 [0.35]	4.224 [107.29]	in [mm]
T	± 0.014 [0.35]	4.343 [110.31]	in [mm]
H	± 0.014 [0.35]	0.558 [14.17]	in [mm]
OAH	± 0.014 [0.35]	0.633 [16.08]	in [mm]
OD	± 0.014 [0.35]	4.464 [113.39]	in [mm]
PART WEIGHT	± 2.0	21.10	g



Pipeline Packaging

30310 Emerald Valley Pkwy
Glenwillow, OH 44139

PPC ITEM NUMBER: 71376		SKU: 05-16-019-00179	
DRAWN BY: -	CHECKED BY: -	DATE: 2/14/2019	
DESCRIPTION: 110-400 CT PP Closure		COLOR: -	
PART MATERIAL: -	VOLUME: -	WEIGHT: -	
DWG NO.: -	DWG SIZE: A	SHEET NO: 1 of 3	REV: -

PROPRIETARY AND CONFIDENTIAL

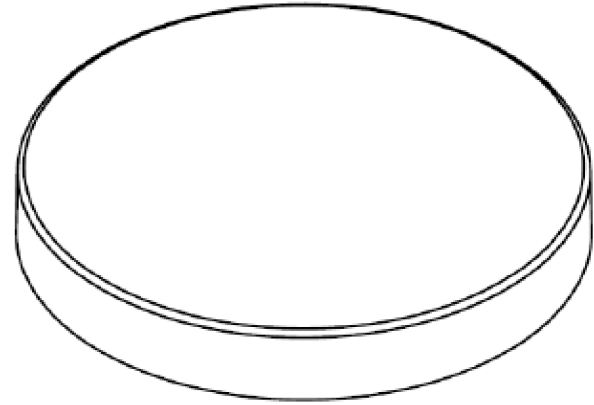
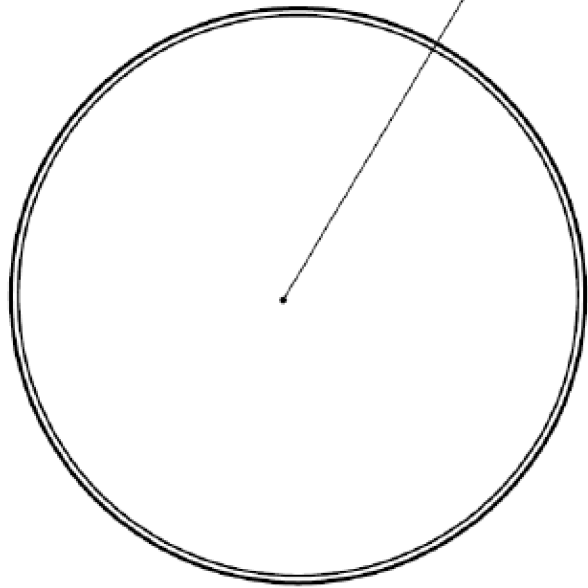
THE INFORMATION CONTAINED IN THIS DRAWING IS THE SOLE PROPERTY OF PIPELINE PACKAGING. ANY REPRODUCTION IN PART OR AS A WHOLE WITHOUT THE WRITTEN PERMISSION OF PIPELINE PACKAGING IS PROHIBITED.

UNLESS OTHERWISE SPECIFIED:

UNITS OF MEASURE: Inches

TOLERANCES: Specified in drawing

GLOSS SURFACE



Pipeline Packaging

30310 Emerald Valley Pkwy
Glenwillow, OH 44139

PPC ITEM NUMBER: 71376	SKU: 05-16-019-00179
---------------------------	-------------------------

DRAWN BY: -	CHECKED BY: -	DATE: 2/14/2019
----------------	------------------	--------------------

DESCRIPTION: 110-400 CT PP Closure	COLOR: -
---------------------------------------	-------------

PART MATERIAL: -	VOLUME: -	WEIGHT: -
---------------------	--------------	--------------

DWG NO.: -	DWG SIZE: A	SHEET NO: 2 of 3	REV: -
---------------	----------------	---------------------	-----------

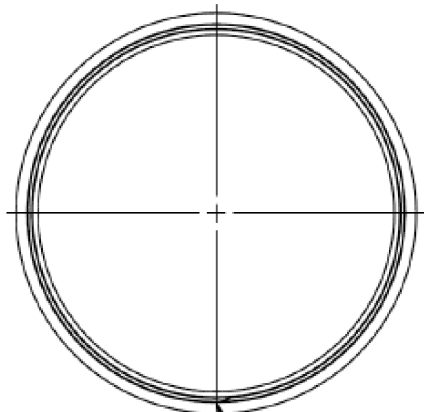
PROPRIETARY AND CONFIDENTIAL

THE INFORMATION CONTAINED IN THIS DRAWING IS THE SOLE PROPERTY OF PIPELINE PACKAGING. ANY REPRODUCTION IN PART OR AS A WHOLE WITHOUT THE WRITTEN PERMISSION OF PIPELINE PACKAGING IS PROHIBITED.

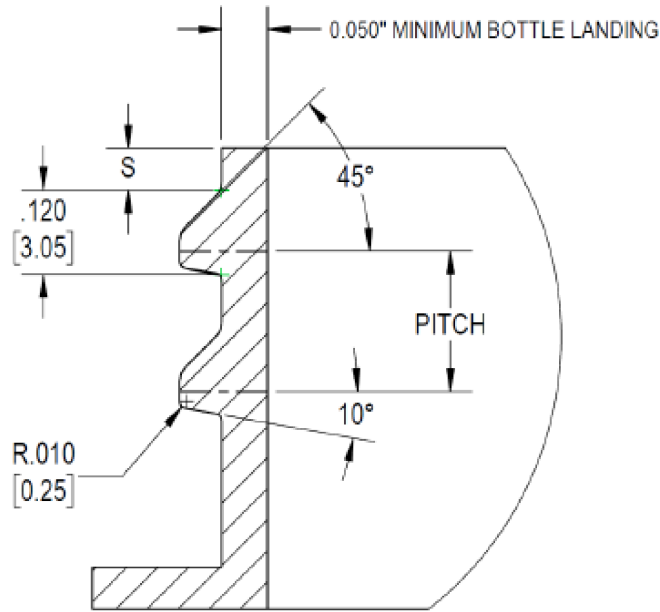
UNLESS OTHERWISE SPECIFIED:

UNITS OF MEASURE: Inches

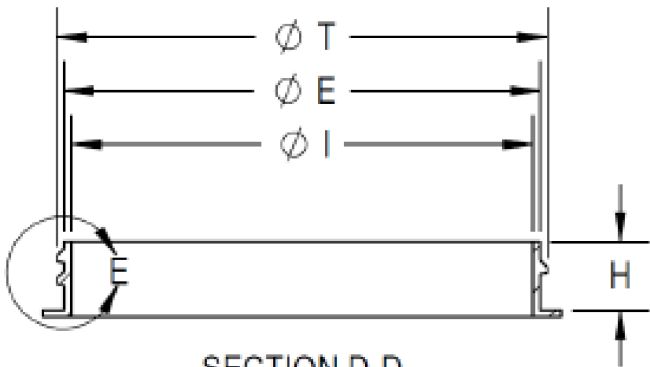
TOLERANCES: Specified in drawing



THREAD START



DETAIL E
SCALE 4 : 1



SECTION D-D

REFERENCE	TOLERANCE	UNITS	DIMENSION
E	± 0.017[0.43]	IN[mm]	4.194 [106.53]
T	± 0.017[0.43]	IN[mm]	4.314 [109.58]
I	MINIMUM	IN[mm]	3.737 [94.92]
S	± 0.015[0.38]	IN[mm]	0.060[1.524]
H	MINIMUM	IN[mm]	0.597 [15.16]
TPI			5
PITCH		IN[mm]	0.200 [5.04]



Pipeline Packaging

30310 Emerald Valley Pkwy
Glenwillow, OH 44139

PPC ITEM NUMBER: 71376 SKU: 05-16-019-00179

DRAWN BY: - CHECKED BY: - DATE: 2/14/2019

DESCRIPTION: 110-400 CT PP Closure COLOR: -

PART MATERIAL: - VOLUME: - WEIGHT: -

DWG NO.: - DWG SIZE: A SHEET NO: 3 of 3 REV: -

PROPRIETARY AND CONFIDENTIAL

THE INFORMATION CONTAINED IN THIS DRAWING IS THE SOLE PROPERTY OF PIPELINE PACKAGING. ANY REPRODUCTION IN PART OR AS A WHOLE WITHOUT THE WRITTEN PERMISSION OF PIPELINE PACKAGING IS PROHIBITED.

UNLESS OTHERWISE SPECIFIED:

UNITS OF MEASURE: Inches

TOLERANCES: Specified in drawing