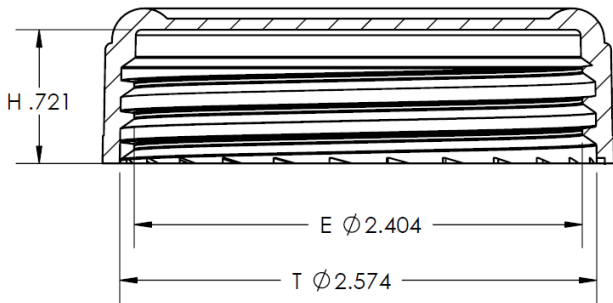
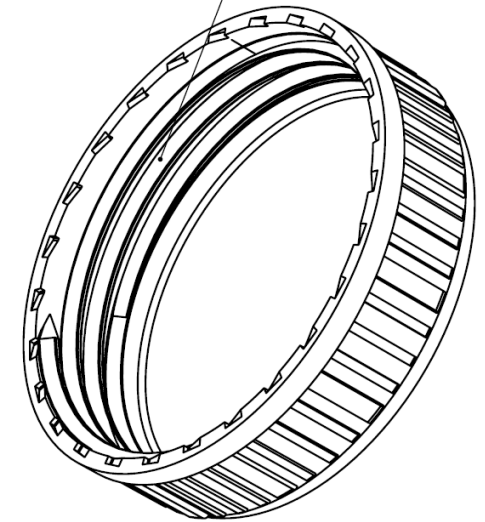


SECTION B-B

6 THREADS PER INCH
.167 LEAD 2 TURNS



SECTION A-A

pipeline Packaging 30310 Emerald Valley Pkwy
Suite #500
Glenwillow, OH 44139

PPC Item Number: _____ SKU: _____
DRAWN BY: D. Grace CHECKED BY: B. Ashinger DATE: 4/12/2018

DESCRIPTION: _____ COLOR: _____

PART MATERIAL: _____ VOLUME: _____ WEIGHT: _____

DWG NO.: - DWG SIZE: A SHEET NO: 1 of 1 REV: -

PROPRIETARY AND CONFIDENTIAL
THE INFORMATION CONTAINED IN THIS DRAWING IS THE SOLE PROPERTY OF PIPELINE PACKAGING. ANY REPRODUCTION IN PART OR AS A WHOLE WITHOUT THE WRITTEN PERMISSION OF PIPELINE PACKAGING IS PROHIBITED.

UNLESS OTHERWISE SPECIFIED:
UNITS OF MEASURE: Inches
TOLERANCES: Specified in drawing