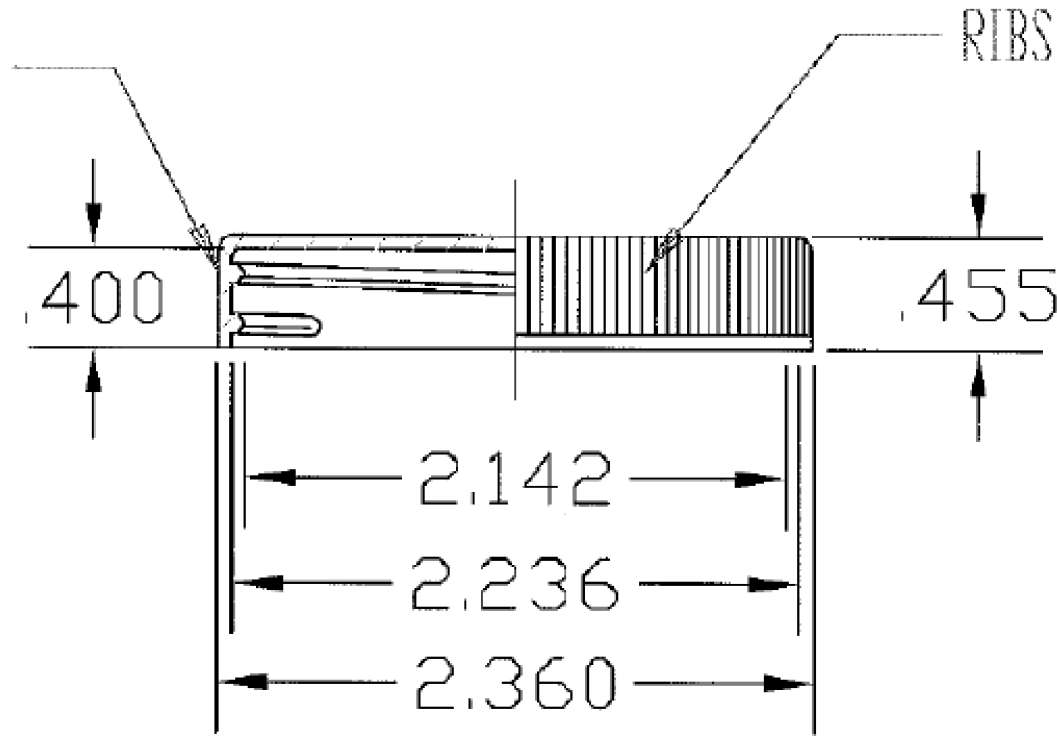



6 T.P.I.



Colorent 30082  
 T=2.226  
 E=2.127

"T"	"E"	"H"	"A"	"B"
2.236	2.142	.400	2.360	.455
MATERIAL: POLYPROPYLENE				
WEIGHT: 5.5 GRAMS +/- 1.5 grams				

		30310 Emerald Valley Pkwy Glenwillow, OH 44139	
PPC ITEM NUMBER: 71830		SKU: 05-16-019-00199	
DRAWN BY:	CHECKED BY:	DATE: 2/15/2019	
DESCRIPTION: 58-400 Cont. Thread PP Closure		COLOR:	
PART MATERIAL:	VOLUME:	WEIGHT:	
DWG NO.:	DWG SIZE: A	SHEET NO: 1 of 1	REV:

**PROPRIETARY AND CONFIDENTIAL**

THE INFORMATION CONTAINED IN THIS DRAWING IS THE SOLE PROPERTY OF PIPELINE PACKAGING. ANY REPRODUCTION IN PART OR AS A WHOLE WITHOUT THE WRITTEN PERMISSION OF PIPELINE PACKAGING IS PROHIBITED.

**UNLESS OTHERWISE SPECIFIED:**

UNITS OF MEASURE: Inches

TOLERANCES: Specified in drawing