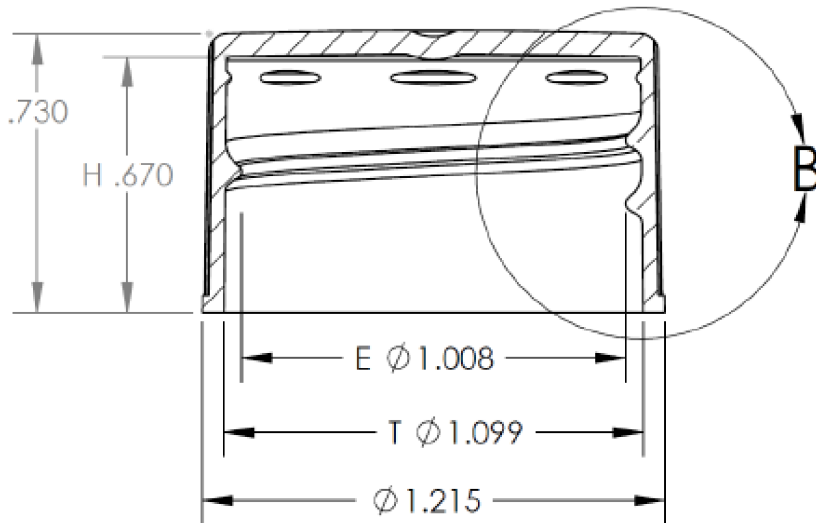
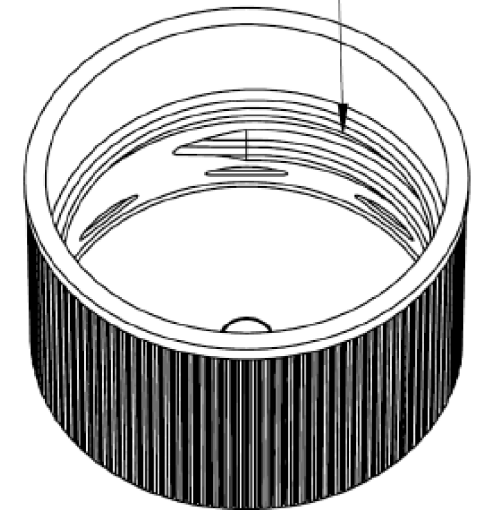



DETAIL B  
SCALE 4:1

6 THREADS PER INCH  
.167 LEAD 1 1/4 TURNS



		30310 Emerald Valley Pkwy Glenwillow, OH 44139	
PPC ITEM NUMBER: 71910		SKU: 05-16-019-00201	
DRAWN BY: -	CHECKED BY: -	DATE: 2/15/2019	
DESCRIPTION: 28-410 Continuous Thread Closure		COLOR: -	
PART MATERIAL: -	VOLUME: -	WEIGHT: -	
DWG NO.: -	DWG SIZE: A	SHEET NO: 1 of 1	REV: -

**PROPRIETARY AND CONFIDENTIAL**

THE INFORMATION CONTAINED IN THIS DRAWING IS THE SOLE PROPERTY OF PIPELINE PACKAGING. ANY REPRODUCTION IN PART OR AS A WHOLE WITHOUT THE WRITTEN PERMISSION OF PIPELINE PACKAGING IS PROHIBITED.

**UNLESS OTHERWISE SPECIFIED:**

UNITS OF MEASURE: Inches

TOLERANCES: Specified in drawing