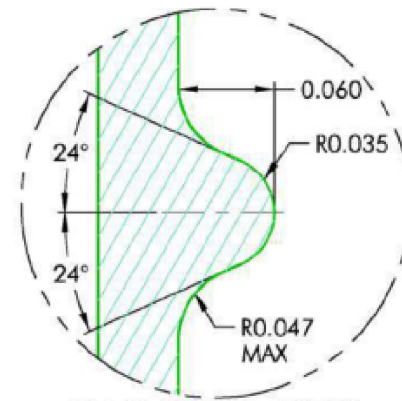
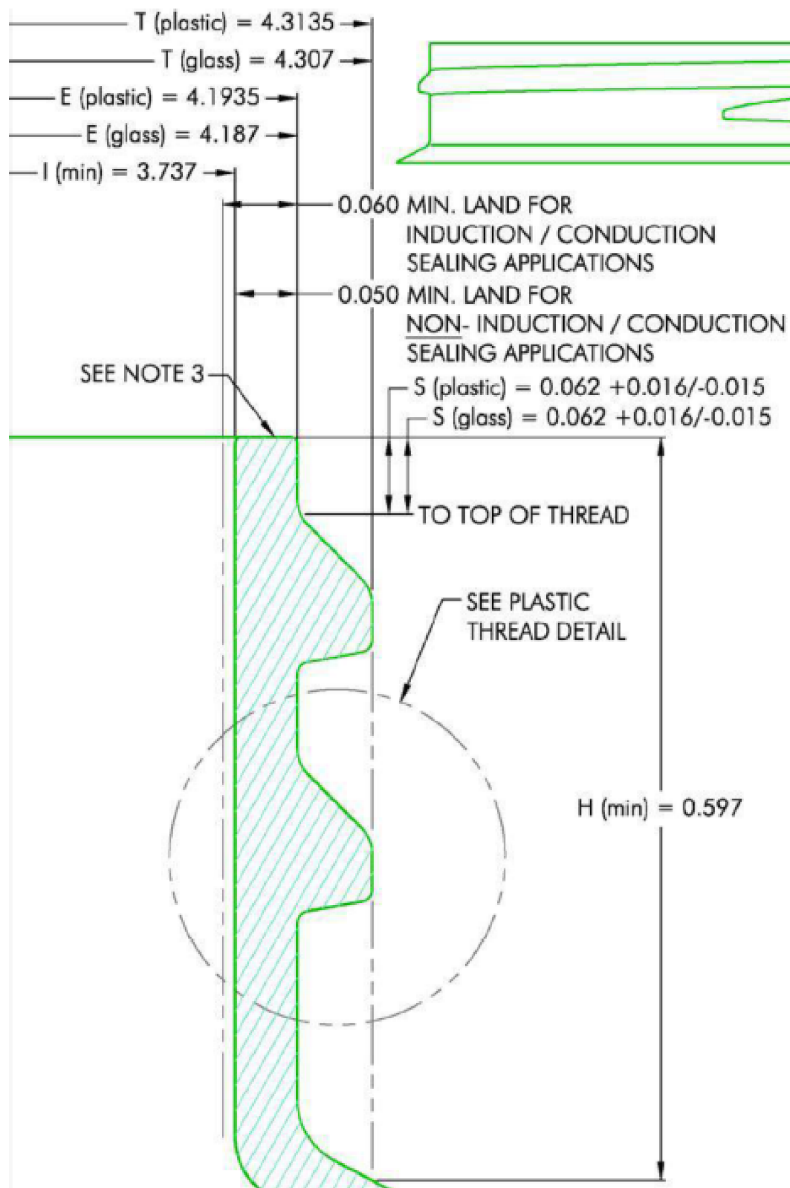
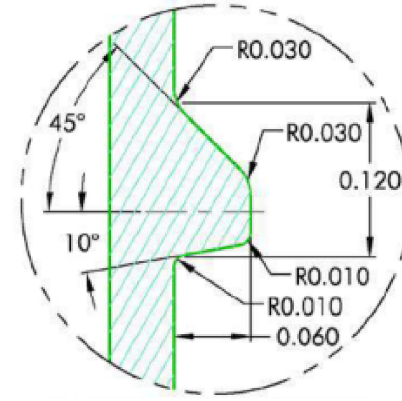
		30310 Emerald Valley Pkwy Glenwillow, OH 44139	
PPC ITEM NUMBER: 71879		SKU: 05-16-019-00204	
DRAWN BY: -	CHECKED BY: -	DATE: 2/15/2019	
DESCRIPTION: 110-400 Cont. Thread PP Closure		COLOR: -	
PART MATERIAL: -	VOLUME: -	WEIGHT: -	
DWG NO.: -	DWG SIZE: A	SHEET NO: 1 of 2	REV: -

PROPRIETARY AND CONFIDENTIAL
 THE INFORMATION CONTAINED IN THIS DRAWING IS THE SOLE PROPERTY OF PIPELINE PACKAGING. ANY REPRODUCTION IN PART OR AS A WHOLE WITHOUT THE WRITTEN PERMISSION OF PIPELINE PACKAGING IS PROHIBITED.

UNLESS OTHERWISE SPECIFIED:
 UNITS OF MEASURE: Inches
 TOLERANCES: Specified in drawing



GLASS THREAD DETAIL
SCALE 10 : 1



PLASTIC THREAD DETAIL
SCALE 8 : 1

MATERIAL	TOLERANCE
PP / PE	± 0.0175
PET	± 0.012
GLASS	± 0.024

- NOTES: (UNLESS OTHERWISE SPECIFIED)
1. ALL DIMENSIONS ARE IN INCHES.
 2. TOLERANCE ON ALL DIMENSIONS GIVEN BY CHART.
 3. UNEVEN LAND CONDITIONS (SADDLES, SLOPES OR DIPS) WILL ADVERSELY AFFECT CLOSURE FIT & SEAL.

Pipeline Packaging 30310 Emerald Valley Pkwy
Glenwillow, OH 44139

PPC ITEM NUMBER: 71879 SKU: 05-16-019-00204
DRAWN BY: - CHECKED BY: - DATE: 2/15/2019

DESCRIPTION: 110-400 Cont. Thread PP Closure COLOR: -
PART MATERIAL: - VOLUME: - WEIGHT: -
DWG NO.: - DWG SIZE: A SHEET NO: 2 of 2 REV: -

PROPRIETARY AND CONFIDENTIAL
THE INFORMATION CONTAINED IN THIS DRAWING IS THE SOLE PROPERTY OF PIPELINE PACKAGING. ANY REPRODUCTION IN PART OR AS A WHOLE WITHOUT THE WRITTEN PERMISSION OF PIPELINE PACKAGING IS PROHIBITED.

UNLESS OTHERWISE SPECIFIED:
UNITS OF MEASURE: Inches
TOLERANCES: Specified in drawing