


- NOTES: (UNLESS OTHERWISE SPECIFIED)
 1. ALL DIMENSIONS ARE IN INCHES.
 2. TOLERANCE ON ALL DIMENSIONS IS $\pm 0.010"$.
 3. CONTINUOUS RUN OF THREAD FROM LINER-WELL TO 'S-2' DIMENSION SHOWN AT BOTTOM OF SKIRT. (2 FULL TURNS)

		30310 Emerald Valley Pkwy Glenwillow, OH 44139	
PPC ITEM NUMBER:		SKU:	
71477		05-16-019-00212	
DRAWN BY:	CHECKED BY:	DATE:	
-	-	2/14/2019	
DESCRIPTION:		COLOR:	
63mm Cont. Thread PP Closure		-	
PART MATERIAL:	VOLUME:	WEIGHT:	
-	-	-	
DWG NO.:	DWG SIZE:	SHEET NO.:	REV:
-	A	1 of 2	-

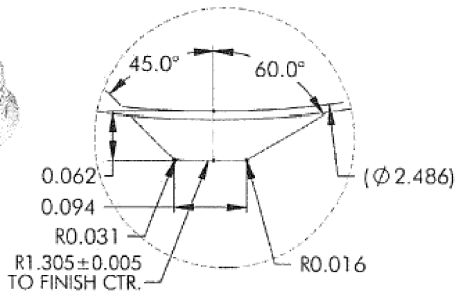
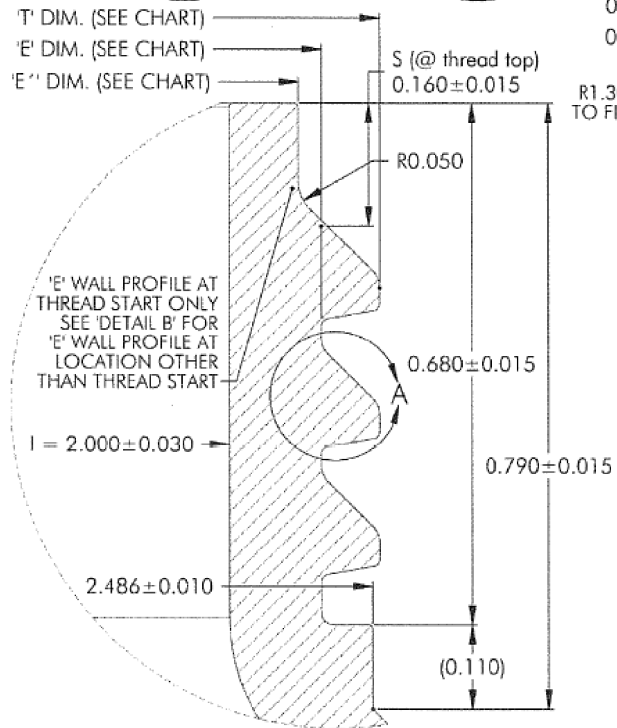
PROPRIETARY AND CONFIDENTIAL

THE INFORMATION CONTAINED IN THIS DRAWING IS THE SOLE PROPERTY OF PIPELINE PACKAGING. ANY REPRODUCTION IN PART OR AS A WHOLE WITHOUT THE WRITTEN PERMISSION OF PIPELINE PACKAGING IS PROHIBITED.

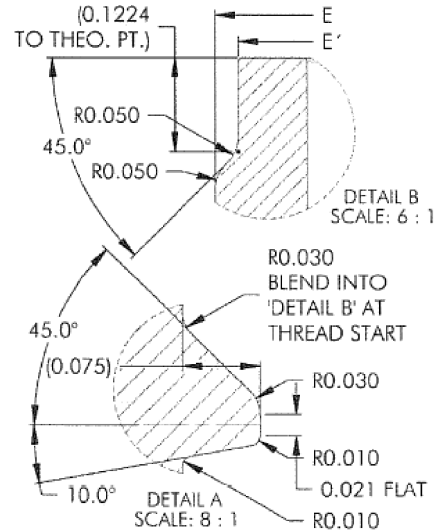
UNLESS OTHERWISE SPECIFIED:

UNITS OF MEASURE: Inches

TOLERANCES: Specified in drawing



RATCHET DETAIL (SEE NOTE 4)
GROUPS OF 5 RATCHETS, 15° BETWEEN RATCHETS
SCALE: 6 : 1



MATERIAL	T (mean)	E (mean)	E' (mean)	TOLERANCE
PP / PE	2.505	2.355	2.295	+0.017/-0.018
PET	2.505	2.355	2.295	± 0.010

- NOTES: (UNLESS OTHERWISE SPECIFIED)
 1. ALL DIMENSIONS ARE IN INCHES.
 2. SEE CHART FOR TOLERANCE ON ALL DIMENSIONS.
 3. THIS FINISH IS DESIGNED FOR USE WITH ALL PHOENIX 63-S01-XXXX CLOSURES EXCEPT FOR 63-S01-2002.
 4. RATCHETS USED w/ ANTI-BACKOFF STYLE ONLY. THIS FEATURE NOT INCLUDED w/ STD FINISH. MAY ALTER GROUP POSITION FOR EASE OF MOLDING BUT RATCHETS MUST REMAIN IN GROUPS OF 5 AS DEPICTED ON PRINT.

pipeline Packaging 30310 Emerald Valley Pkwy
Glenwillow, OH 44139

PPC ITEM NUMBER: 71477	SKU: 05-16-019-00212
DRAWN BY: -	CHECKED BY: -
DATE: 2/14/2019	

DESCRIPTION: 63mm Cont. Thread PP Closure	COLOR: -
PART MATERIAL: -	VOLUME: -
DWG NO.: -	WEIGHT: -
DWG SIZE: A	SHEET NO: 2 of 2
REV: -	

PROPRIETARY AND CONFIDENTIAL
 THE INFORMATION CONTAINED IN THIS DRAWING IS THE SOLE PROPERTY OF PIPELINE PACKAGING. ANY REPRODUCTION IN PART OR AS A WHOLE WITHOUT THE WRITTEN PERMISSION OF PIPELINE PACKAGING IS PROHIBITED.

UNLESS OTHERWISE SPECIFIED:
 UNITS OF MEASURE: Inches
 TOLERANCES: Specified in drawing