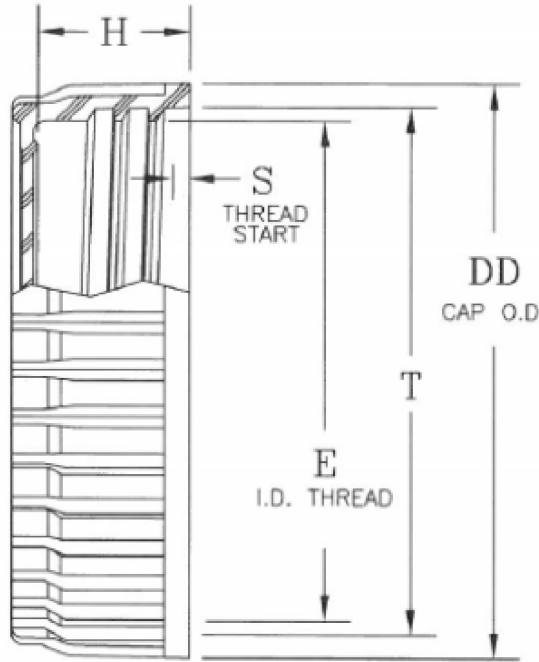
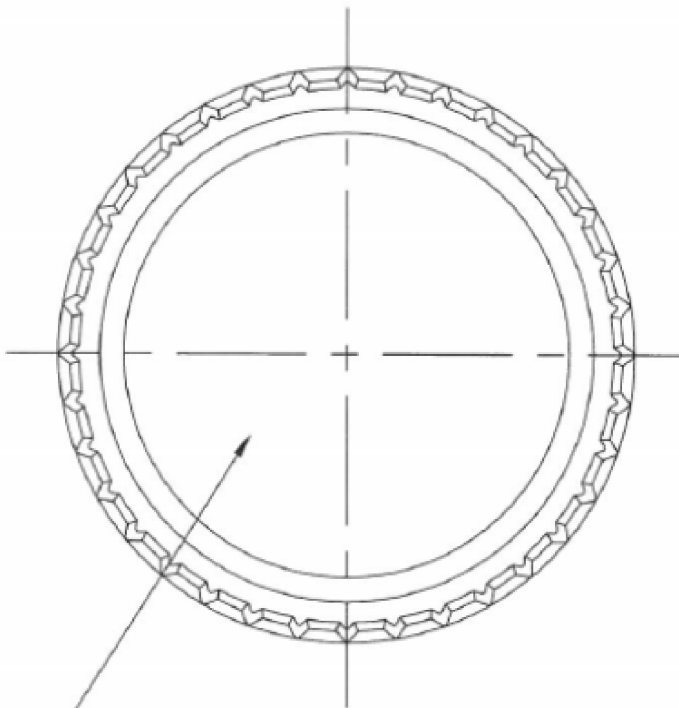
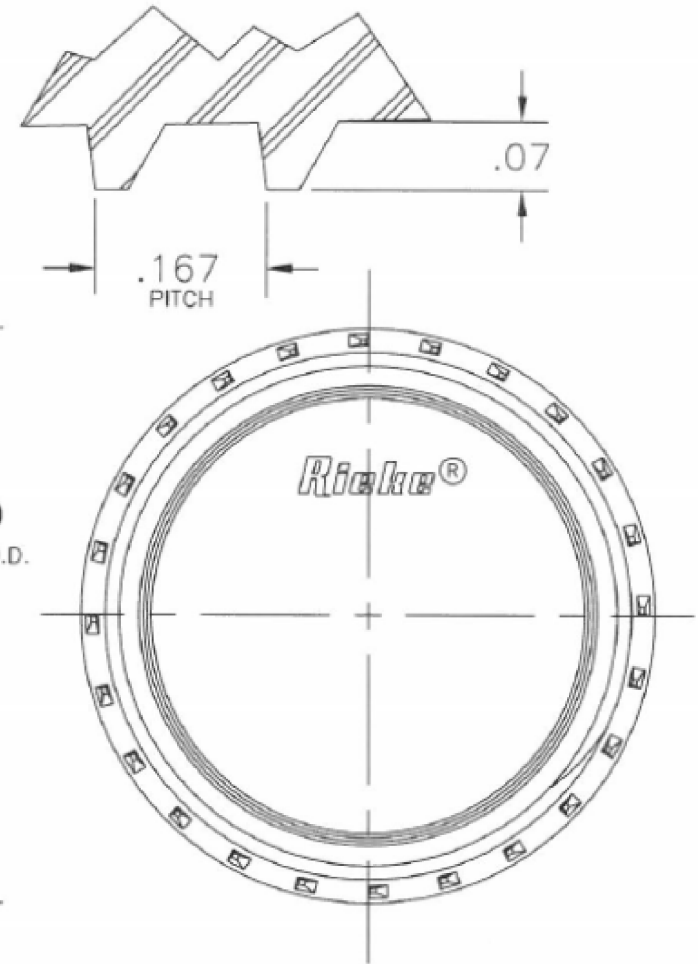


NOTE: THE CAP IS SHOWN WITHOUT A LINER

©

LINER #	LINER DESCRIPTION
502	F217 FOAM
565	1 MIL HEAT SEAL
655	PS113 PRESSURE SENSITIVE W/FOAM BACKING



OPTION: PRINTING OR EMBOSSING TO CUSTOMER REQUIREMENTS

ITEM	DD	E	H	S	T
SPEC.	$\phi 2.757 \pm .012$	$\phi 2.389 \pm .011$	$.725 \pm .008$	$.070 \pm .015$	$\phi 2.541 \pm .013$

NOTE:
THE MATERIALS USED MEETS FDA REQUIREMENTS DEPENDING ON COLOR



Pipeline Packaging

30310 Emerald Valley Pkwy
Glenwillow, OH 44139

PPC ITEM NUMBER: 99662		SKU: 05-16-019-00214	
DRAWN BY:	CHECKED BY:	DATE: 3/20/2019	
DESCRIPTION: 63mm Continuous Thread Closure		COLOR: -	
PART MATERIAL:	VOLUME:	WEIGHT:	
DWG NO.:	DWG SIZE: A	SHEET NO: 1 of 1	REV: -

PROPRIETARY AND CONFIDENTIAL
THE INFORMATION CONTAINED IN THIS DRAWING IS THE SOLE PROPERTY OF PIPELINE PACKAGING. ANY REPRODUCTION IN PART OR AS A WHOLE WITHOUT THE WRITTEN PERMISSION OF PIPELINE PACKAGING IS PROHIBITED.

UNLESS OTHERWISE SPECIFIED:
UNITS OF MEASURE: Inches
TOLERANCES: Specified in drawing