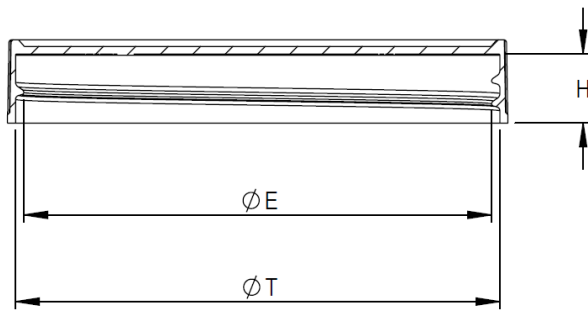


THREAD DETAIL INFORMATION
5 THREADS PER INCH, 0.200 PITCH

REFERENCE	TOLERANCE	DIMENSION	UNITS
T	±0.010[0.25]	3.528[89.61]	in [mm]
E	±0.010[0.25]	3.405[86.49]	in [mm]
H	±0.010[0.25]	0.502[12.75]	in [mm]
OD	±0.012[0.30]	3.644[92.56]	in [mm]
OAH	±0.010[0.25]	0.608[15.44]	in [mm]
PART WEIGHT	± 2.5	13.3	g



SECTION A-A

 **Pipeline Packaging** 30310 Emerald Valley Pkwy
Suite #500
Glenwillow, OH 44139

PPC Item Number: _____ SKU: _____

DRAWN BY: D. Grace CHECKED BY: B. Ashinger DATE: 4/12/2018

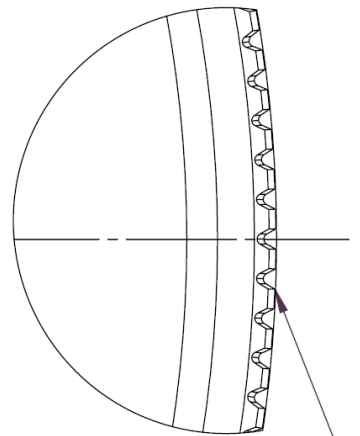
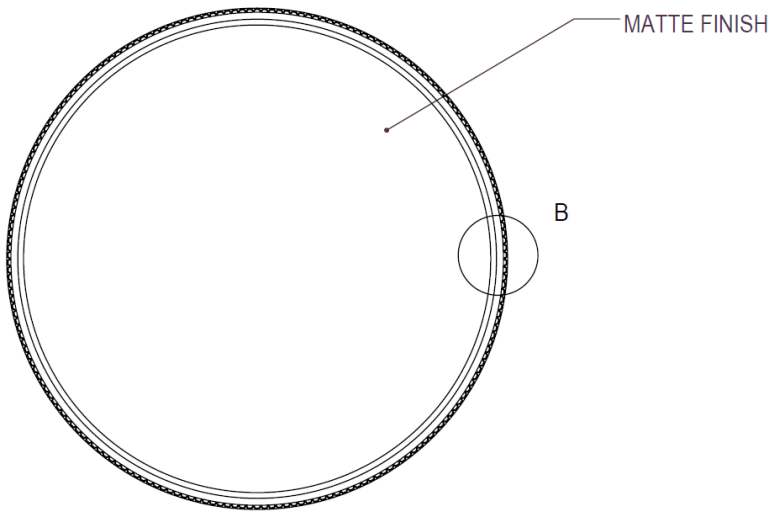
DESCRIPTION: _____ COLOR: _____

PART MATERIAL: _____ VOLUME: _____ WEIGHT: _____

DWG NO.: - DWG SIZE: A SHEET NO: 1 of 3 REV: -

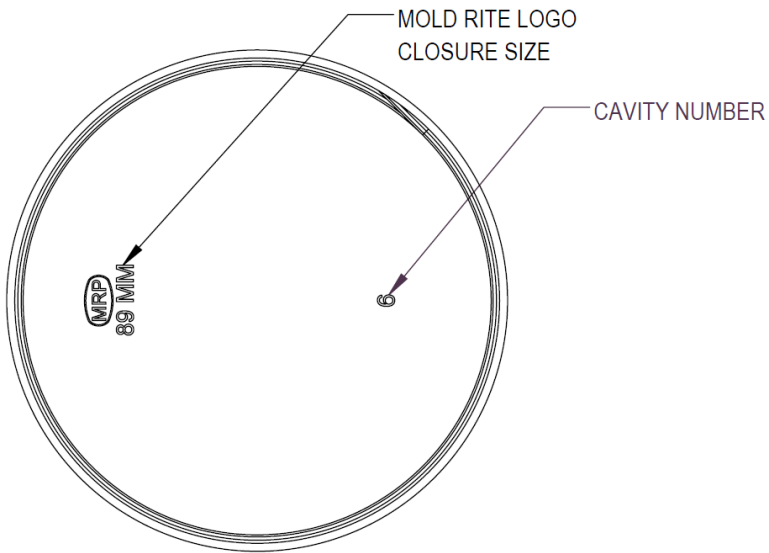
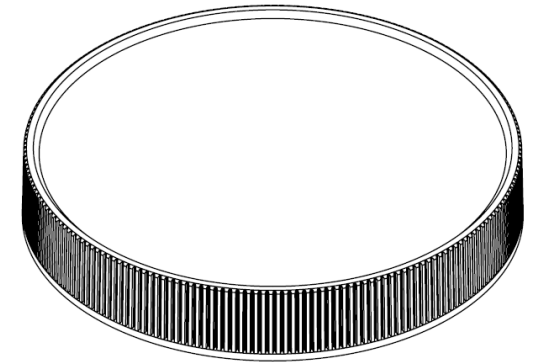
PROPRIETARY AND CONFIDENTIAL
THE INFORMATION CONTAINED IN THIS DRAWING IS THE SOLE PROPERTY OF PIPELINE PACKAGING. ANY REPRODUCTION IN PART OR AS A WHOLE WITHOUT THE WRITTEN PERMISSION OF PIPELINE PACKAGING IS PROHIBITED.


UNLESS OTHERWISE SPECIFIED:
UNITS OF MEASURE: Inches
TOLERANCES: Specified in drawing



(210) EQALLY SPACED RIBS
0.013-0.016 / (0.33-0.44) DEEP

DETAIL B
SCALE 4 : 1

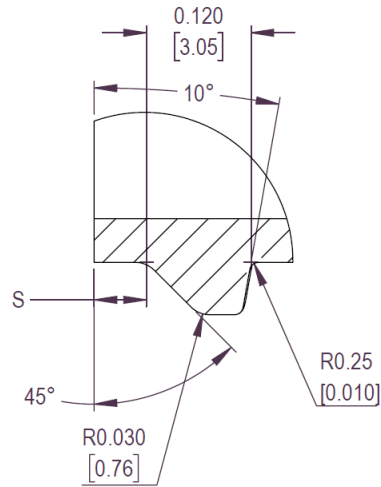
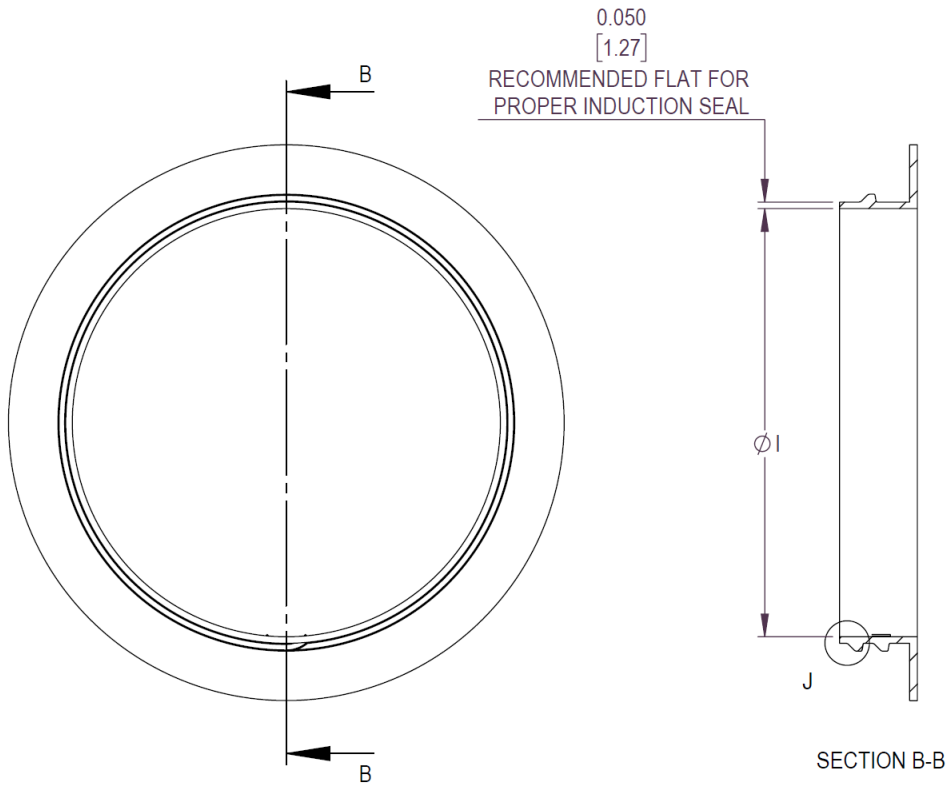


		30310 Emerald Valley Pkwy	
		Suite #500 Glenwillow, OH 44139	
PPC Item Number:		SKU:	
DRAWN BY: D. Grace	CHECKED BY: B. Ashinger	DATE: 4/12/2018	
DESCRIPTION:		COLOR:	
PART MATERIAL:	VOLUME:	WEIGHT:	
DWG NO.: -	DWG SIZE: A	SHEET NO: 2 of 3	REV: -

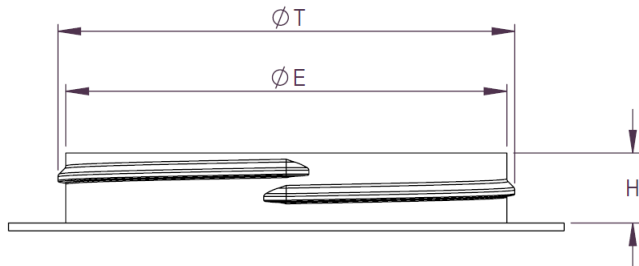
PROPRIETARY AND CONFIDENTIAL
THE INFORMATION CONTAINED IN THIS DRAWING IS THE SOLE PROPERTY OF PIPELINE PACKAGING. ANY REPRODUCTION IN PART OR AS A WHOLE WITHOUT THE WRITTEN PERMISSION OF PIPELINE PACKAGING IS PROHIBITED.

UNLESS OTHERWISE SPECIFIED:
UNITS OF MEASURE: Inches
TOLERANCES: Specified in drawing

RECOMMENDED NECK FINISH



REFERENCE	TOLERANCE	UNITS	DIMENSION
E	± 0.017 [0.43]	in [mm]	3.374[85.70]
T	± 0.017 [0.43]	in [mm]	3.494[88.75]
I	MINIMUM	in [mm]	3.274[83.16]
S	± 0.015 [0.38]	in [mm]	0.060[1.52]
H	± 0.015 [0.38]	in [mm]	0.535[13.59]
PITCH		in [mm]	0.200
TPI			5



pipeline Packaging 30310 Emerald Valley Pkwy
Suite #500
Glenwillow, OH 44139

PPC Item Number: _____ SKU: _____

DRAWN BY: D. Grace CHECKED BY: B. Ashinger DATE: 4/12/2018

DESCRIPTION: _____ COLOR: _____

PART MATERIAL: _____ VOLUME: _____ WEIGHT: _____

DWG NO.: - DWG SIZE: A SHEET NO: 3 of 3 REV: -

PROPRIETARY AND CONFIDENTIAL
THE INFORMATION CONTAINED IN THIS DRAWING IS THE SOLE PROPERTY OF PIPELINE PACKAGING. ANY REPRODUCTION IN PART OR AS A WHOLE WITHOUT THE WRITTEN PERMISSION OF PIPELINE PACKAGING IS PROHIBITED.

UNLESS OTHERWISE SPECIFIED:
UNITS OF MEASURE: Inches
TOLERANCES: Specified in drawing