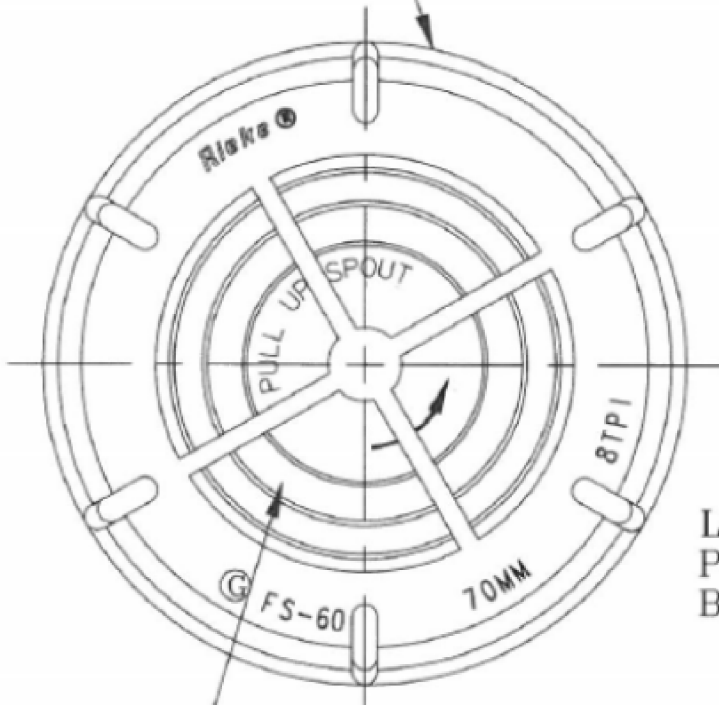
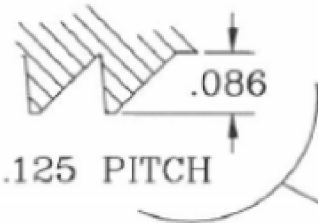


HIGH DENSITY POLYETHYLENE RING/FS-60-B



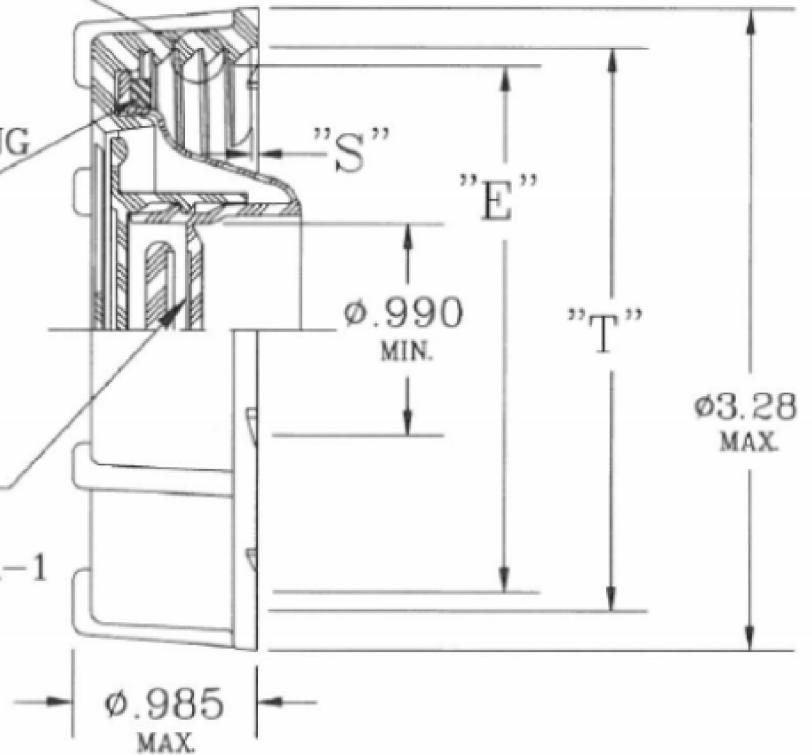
HIGH DENSITY POLYETHYLENE CAP/FS-10-B-5



THREAD SPECS	
S	.03 MINIMUM
T	ø2.767 MINIMUM
E	ø2.650 / ø2.613
TPI	8 THDS. PER INCH

EPDM SEALING GASKET

LOW DENSITY POLYETHYLENE BODY/FS-60-A-1



NOTE: MATERIALS USED MEET FDA REQUIREMENTS



Pipeline Packaging

30310 Emerald Valley Pkwy
Glenwillow, OH 44139

PPC ITEM NUMBER: 99020	SKU: 05-16-019-00229
DRAWN BY:	CHECKED BY:
	DATE: 3/20/2019

DESCRIPTION: 70mm Cont. Thread PP Closure	COLOR: -
PART MATERIAL:	VOLUME: -
DWG NO.:	WEIGHT: -
DWG SIZE: A	SHEET NO: 1 of 1
	REV: -

PROPRIETARY AND CONFIDENTIAL

THE INFORMATION CONTAINED IN THIS DRAWING IS THE SOLE PROPERTY OF PIPELINE PACKAGING. ANY REPRODUCTION IN PART OR AS A WHOLE WITHOUT THE WRITTEN PERMISSION OF PIPELINE PACKAGING IS PROHIBITED.

UNLESS OTHERWISE SPECIFIED:

UNITS OF MEASURE: Inches
TOLERANCES: Specified in drawing