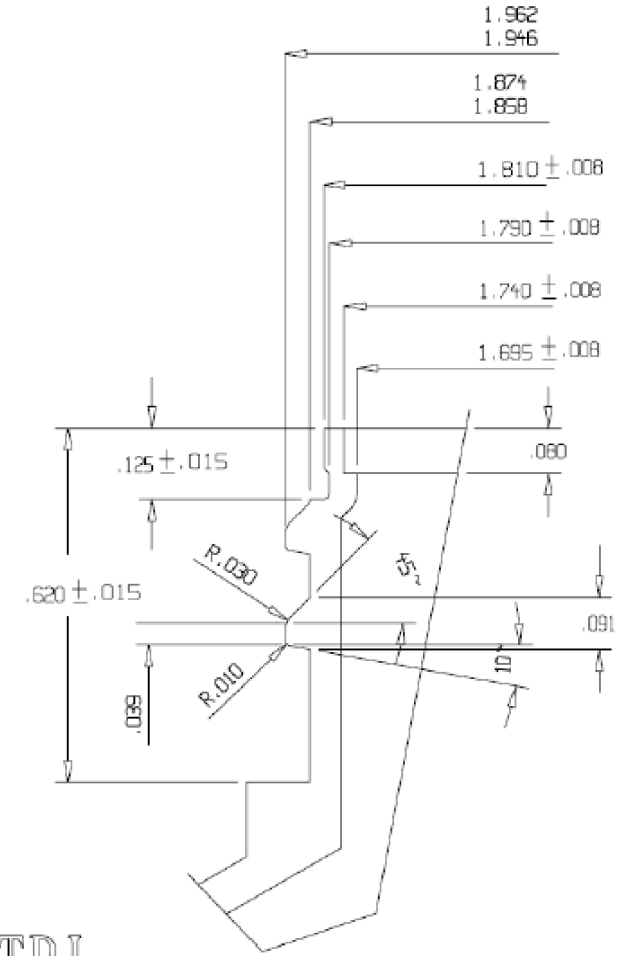
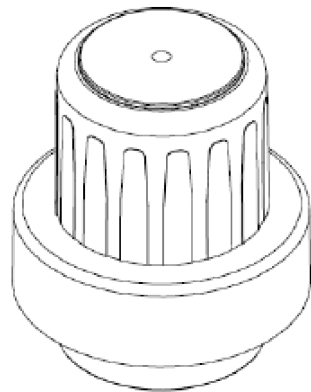
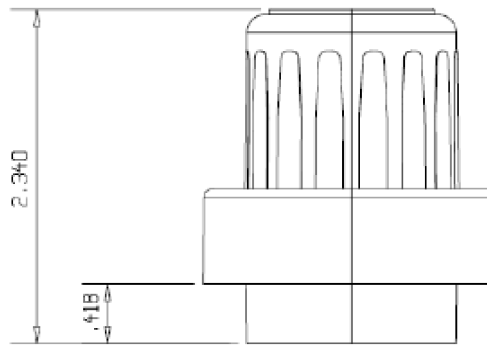
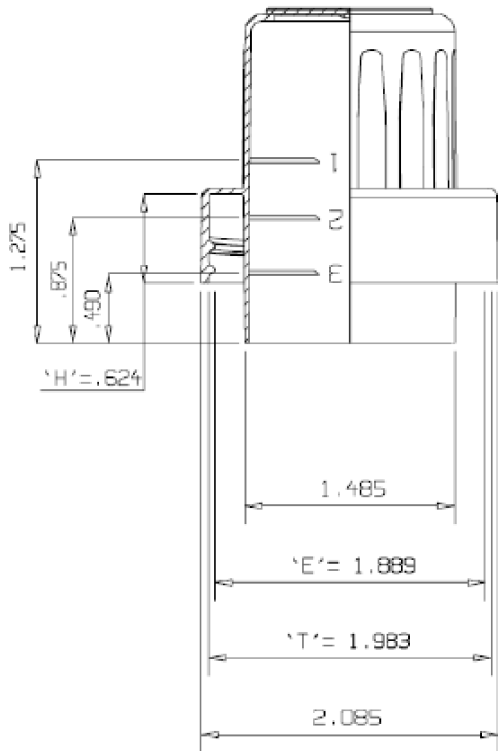


RECOMMENDED NECK FINISH



6 TPI

Fill Lines:

- 1- 25 ml
- 2- 35 ml
- 3- 45 ml
- Brimful- 55 ml

**Pipeline Packaging** 30310 Emerald Valley Pkwy  
Glenwillow, OH 44139

PPC ITEM NUMBER: 72860 SKU: 05-16-024-00138

DRAWN BY: - CHECKED BY: - DATE: 2/18/2019

DESCRIPTION: 51mm Detergent PP Closure COLOR: -

PART MATERIAL: - VOLUME: - WEIGHT: -

DWG NO.: - DWG SIZE: A SHEET NO: 1 of 1 REV: -

**PROPRIETARY AND CONFIDENTIAL**  
THE INFORMATION CONTAINED IN THIS DRAWING IS THE SOLE PROPERTY OF PIPELINE PACKAGING. ANY REPRODUCTION IN PART OR AS A WHOLE WITHOUT THE WRITTEN PERMISSION OF PIPELINE PACKAGING IS PROHIBITED.

**UNLESS OTHERWISE SPECIFIED:**  
UNITS OF MEASURE: Inches  
TOLERANCES: Specified in drawing